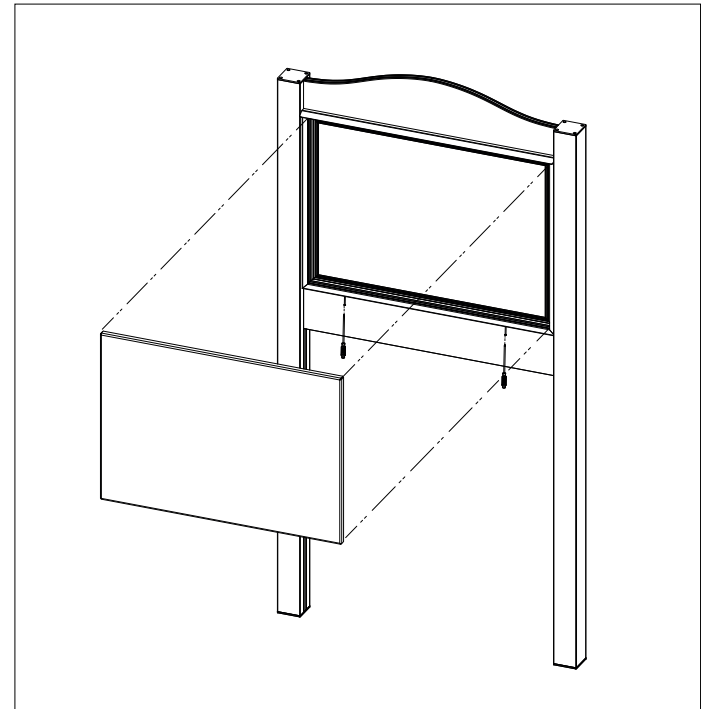


Combination Signage

- 1** **Unlock and open** the notice case doors to access fixings.
- 2** **Remove fixings** (retain for re-assembly)
- 3** **Swap tray panel**, old for new.
Note: location pins retain the panel on the left hand side.
- 4** **Reverse actions 2 and 1** to complete change over



Interpretation Signage

- 1** **Remove fixings** (retain for re-assembly)
- 2** **Swap tray panel**, old for new.
Note: location pins retain the panel on the left hand side.
- 3** **Reverse action 1** to complete change over