

# PRODUCT SPECIFICATION

## STOCKHOLM 72007 DISPLAY SIGN & NOTICE CASE

A traditional yet contemporary post-mounted sign system with an enormous range of customisations. The Stockholm range can be purchased as a display sign only or with a notice case to make a stunning combination.

### PRODUCT FEATURES

- Magnetic notice case available in the following sizes: A0 (16x A4), A1 (8x A4), A2 (4x A4) and 6x A4.
- Graphics panel available A0 to A3 sizes [+ 60mm height to panel when next to a notice case]
- Powder coated aluminium construction
- Heavy duty weatherproof notice case
- Digitally printed aluminium graphics panel
- 1 year manufacturer's warranty
- 4 week delivery (from approval/payment)

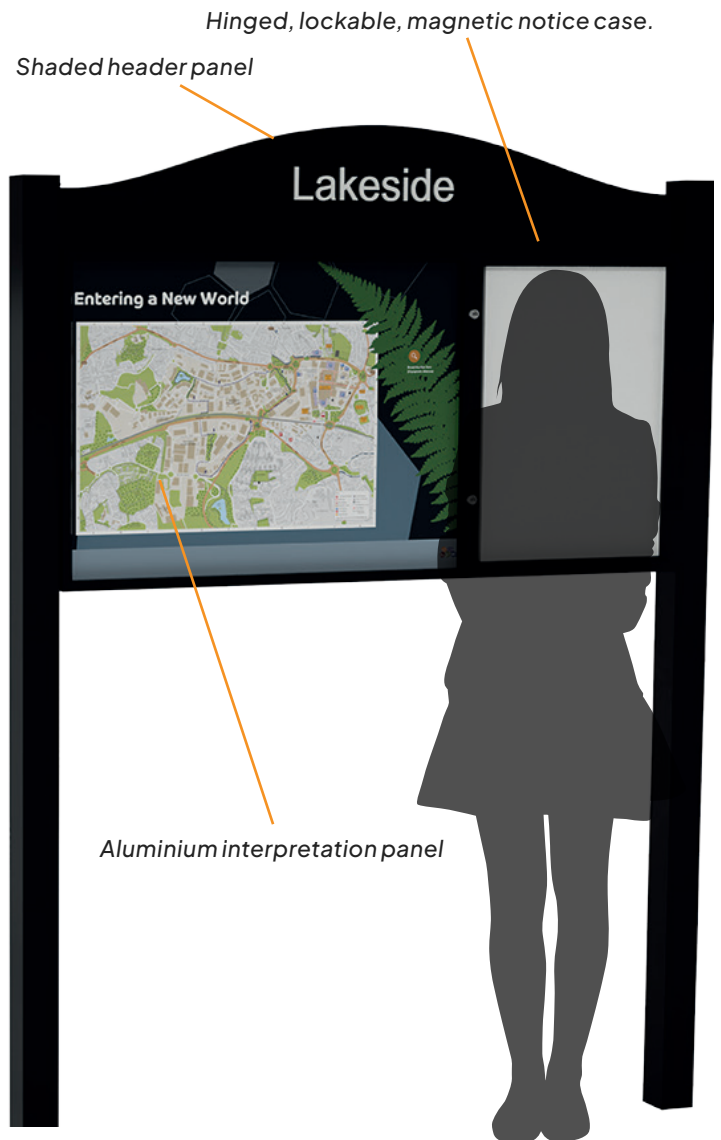
### ADDITIONAL OPTIONS

- Custom sizes
- Printed header panel
- Printed footer panel
- Post top options (includfinals)

### INSTALLATION GUIDELINES

*(These are guidelines only and do not replace, advice from qualified professionals)*

- Root-fix - 300x300x800mm excavation, backfilled to 50mm below ground with postcrete, trowelled for water runoff.
- Bolt down - Use epoxy-fixed M12 (or similar) zincplated anchor bolts.



### PROJECT EXAMPLES

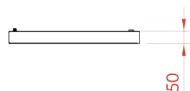
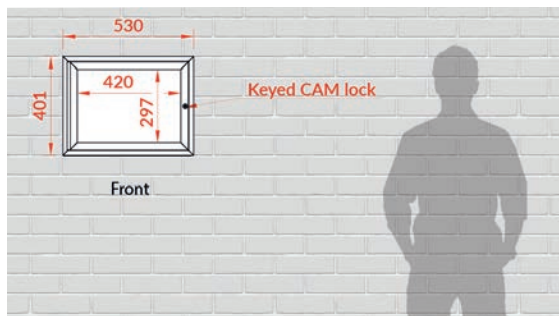
ESSEX WILDLIFE TRUST - Fingringhoe Discovery Park



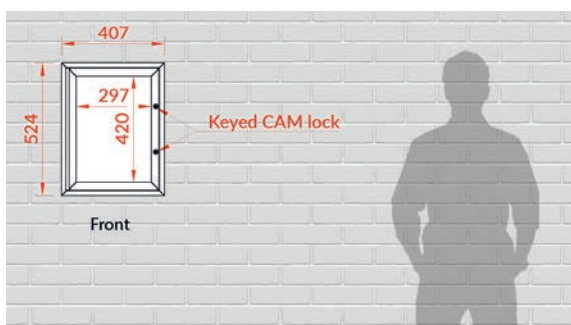
### RELATED PRODUCTS

71009 NEWBURY - Notice Case

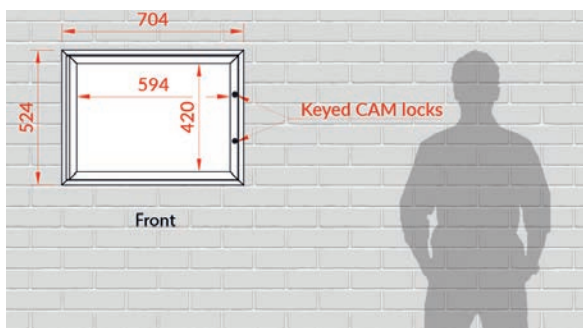




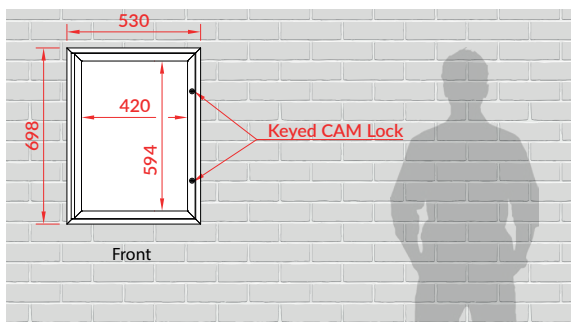
Product	<b>A3L</b> Stockholm Notice Case
Model	72007/A3L.NC
Dimensions	H 401xW 530 x D 50mm
Materials	Powder coated aluminium
Fixing	Wall mounted



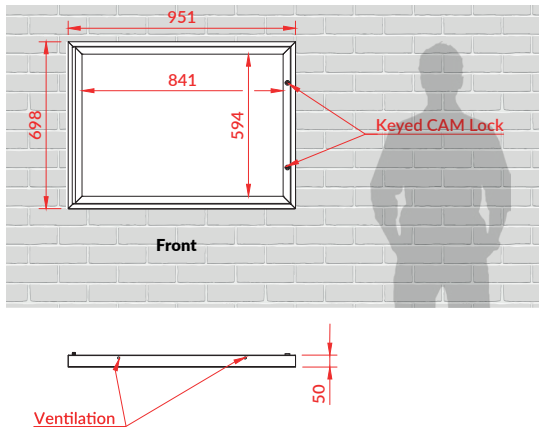
Product	<b>A2P</b> Stockholm Notice Case
Model	72007/A2P.NC
Dimensions	H 524xW 407 x D 50mm
Materials	Powder coated aluminium
Fixing	Wall mounted



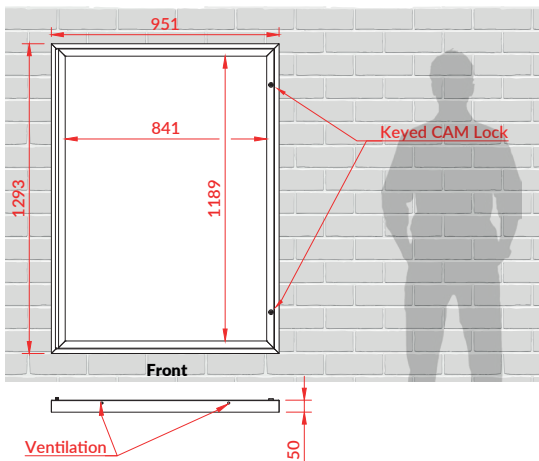
Product	<b>A2L</b> Stockholm Notice Case
Model	72007/A2L.NC
Dimensions	H 524xW 704 x D 50mm
Materials	Powder coated aluminium
Fixing	Wall mounted



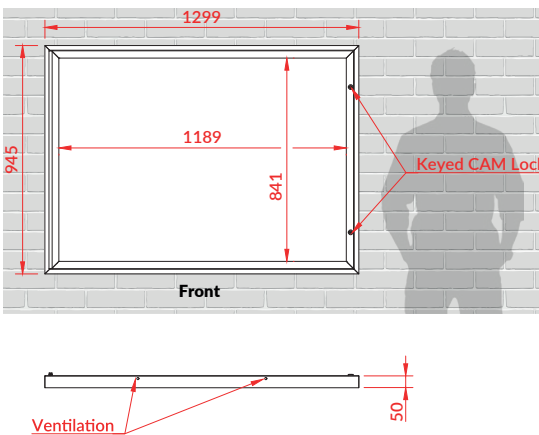
Product	<b>A2P</b> Stockholm Notice Case
Model	72007/A2P.NC
Dimensions	H 698xW 530 x D 50mm
Materials	Powder coated aluminium
Fixing	Wall mounted



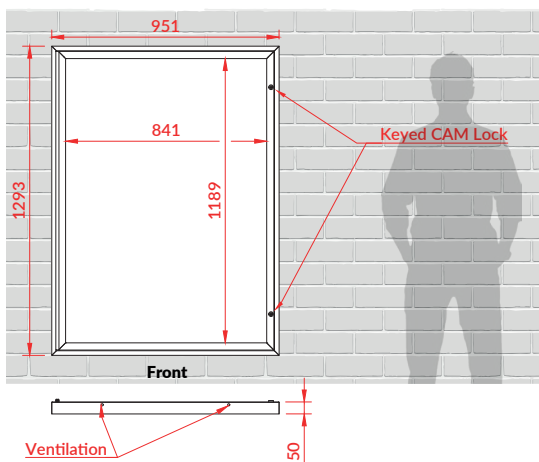
Product	<b>AIL</b> Stockholm Notice Case
Model	72007/AIL.NC
Dimensions	H 698 x W 951 x D 50mm
Materials	Powder coated aluminium
Fixing	Wall mounted



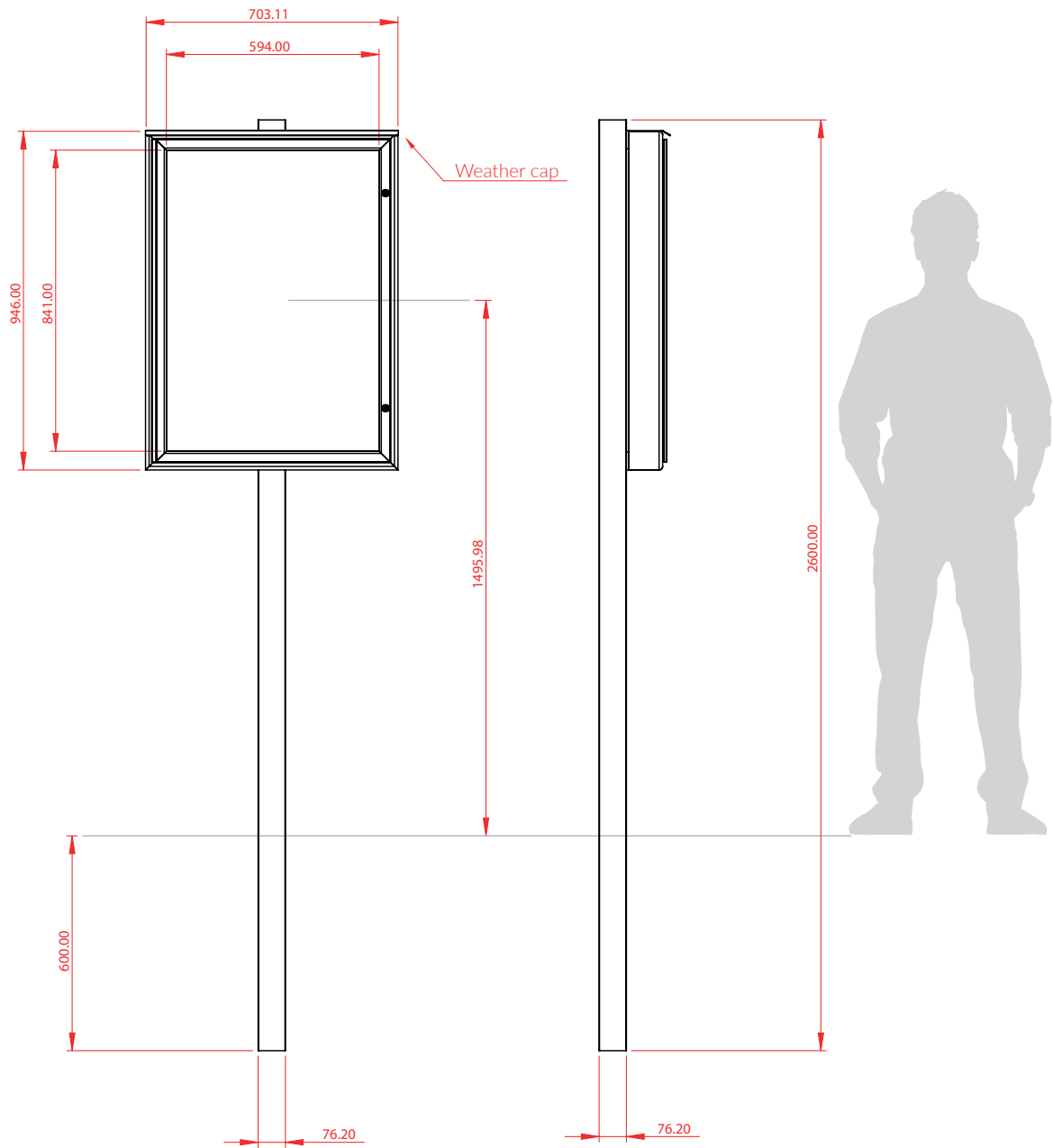
Product	<b>AIP</b> Stockholm Notice Case
Model	72007/AIP.NC
Dimensions	H 1293 x W 951 x D 50mm
Materials	Powder coated aluminium
Fixing	Wall mounted



Product	<b>AOL</b> Stockholm Notice Case
Model	72007/AOL.NC
Dimensions	H 945 x W 1299 x D 50mm
Materials	Powder coated aluminium
Fixing	Wall mounted

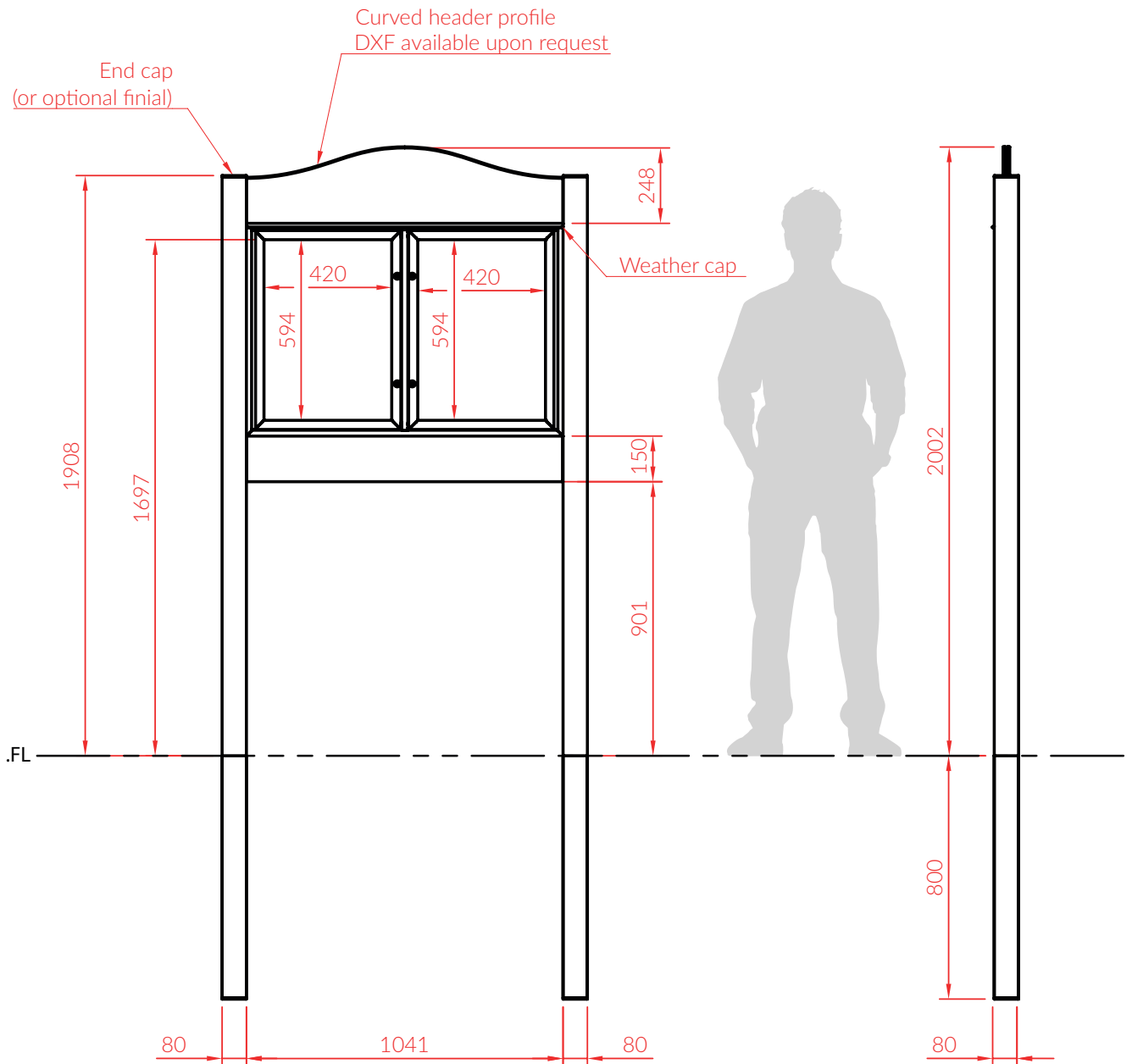


Product	<b>AOP</b> Stockholm Notice Case
Model	72007/AOP.NC
Dimensions	H 1293 x W 951 x D 50mm
Materials	Powder coated aluminium
Fixing	Wall mounted

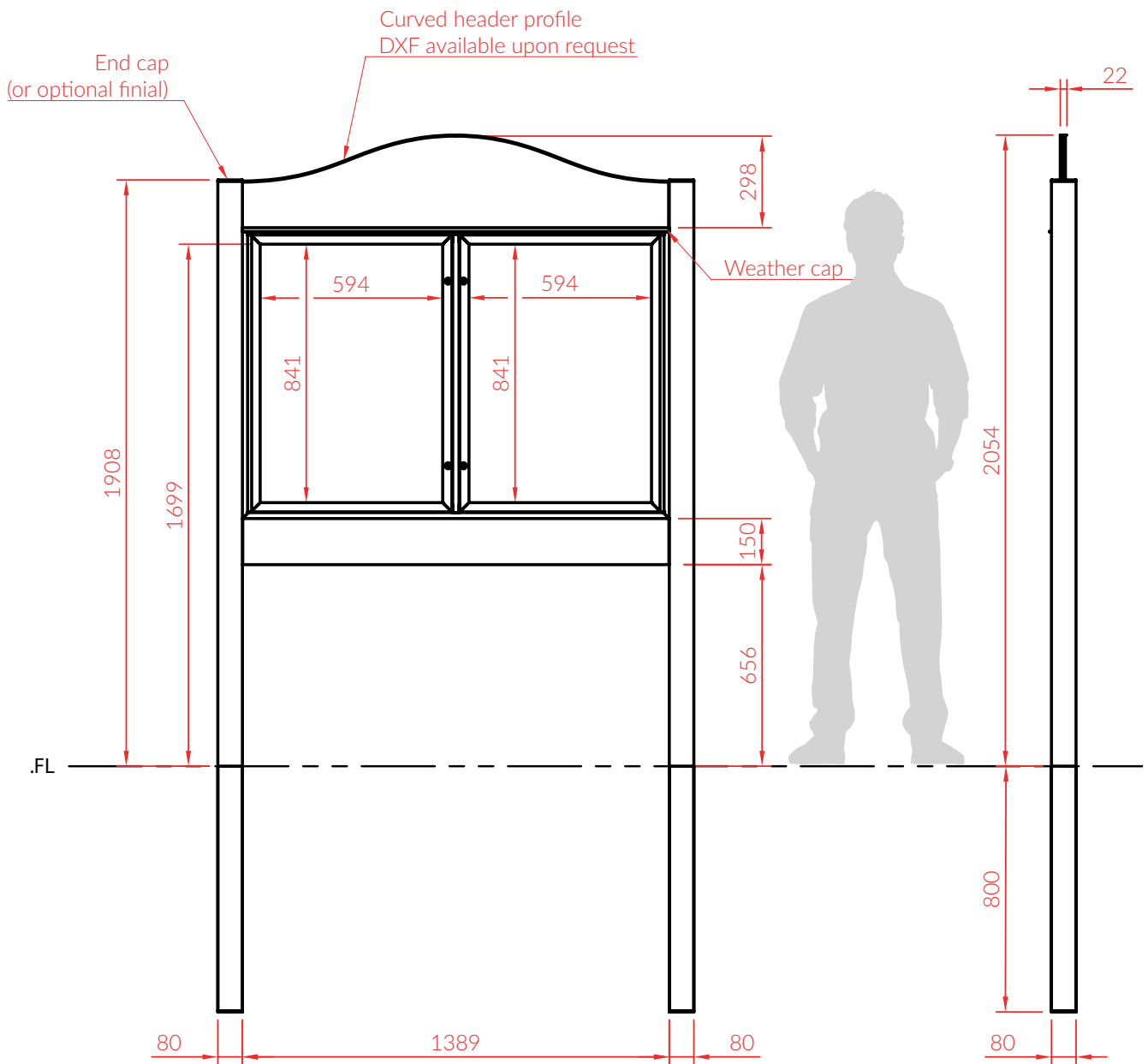


Product	AIP Stockholm Notice Case
Model	72007/AIP.NC
Dimensions	H 2600 x W 703 x D 130mm
Materials	Powder coated aluminium
Artwork dimensions	W 594 x H 841mm
Fixing	Root fixed (concreted in ground) / Bolt down

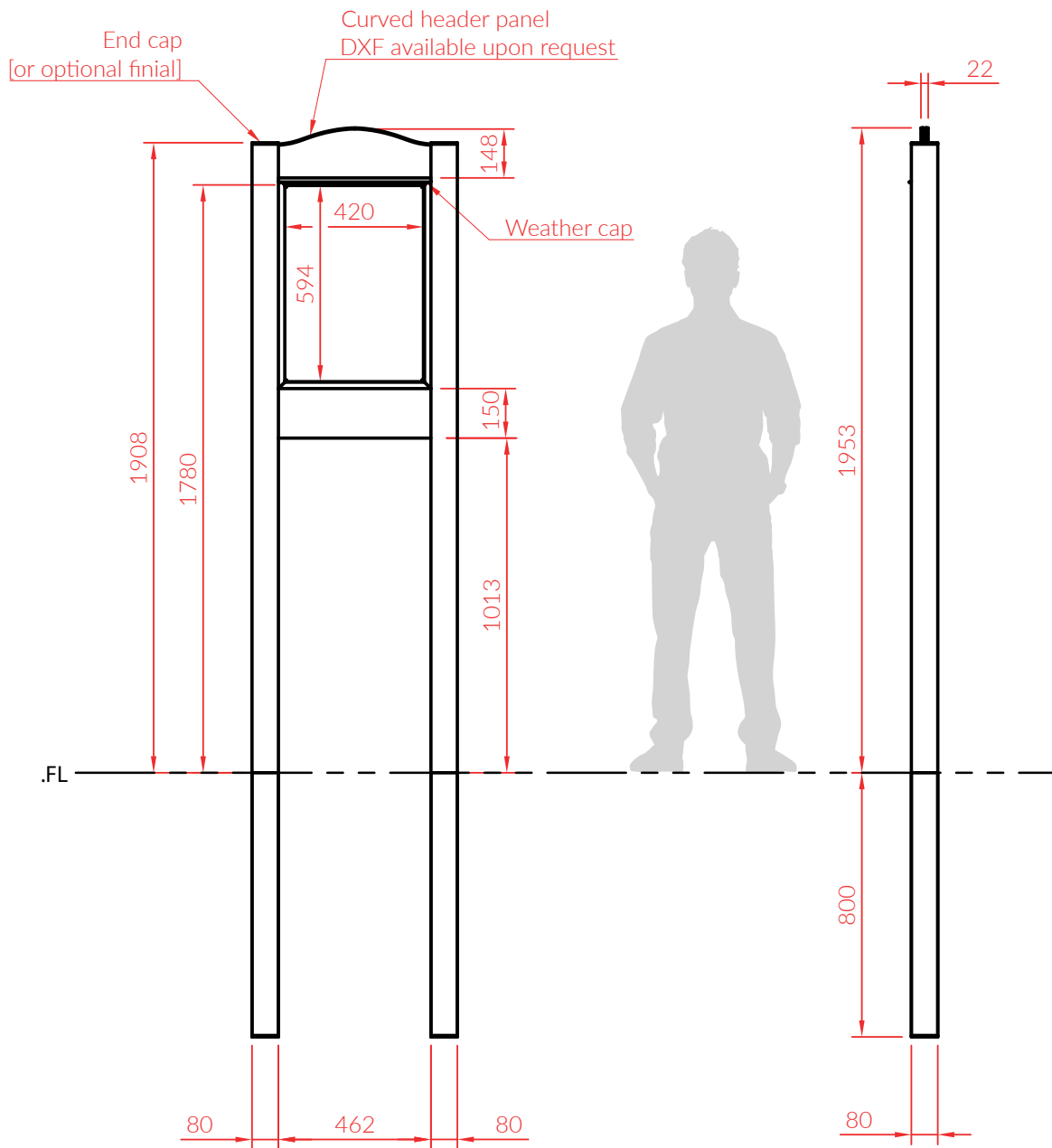




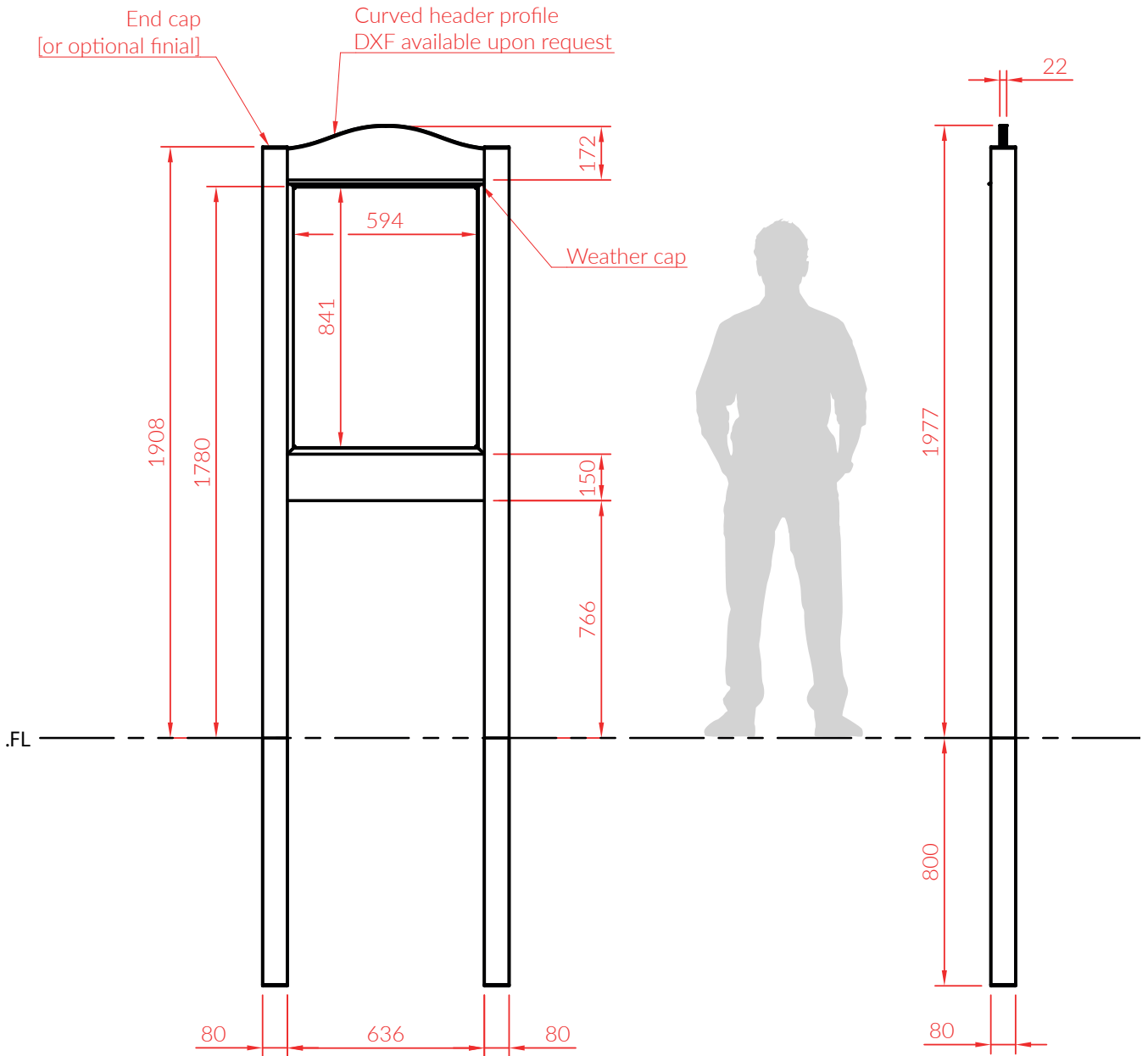
Product	AIL (2x A2P) Stockholm Notice Case
Model	72007/AIL.NC
Dimensions	H 2802 x W 1201 x D 80mm
Materials	Powder coated aluminium
Door aperture	W 420 x H 594
Fixing	Root fixed (concreted in ground) / Bolt down



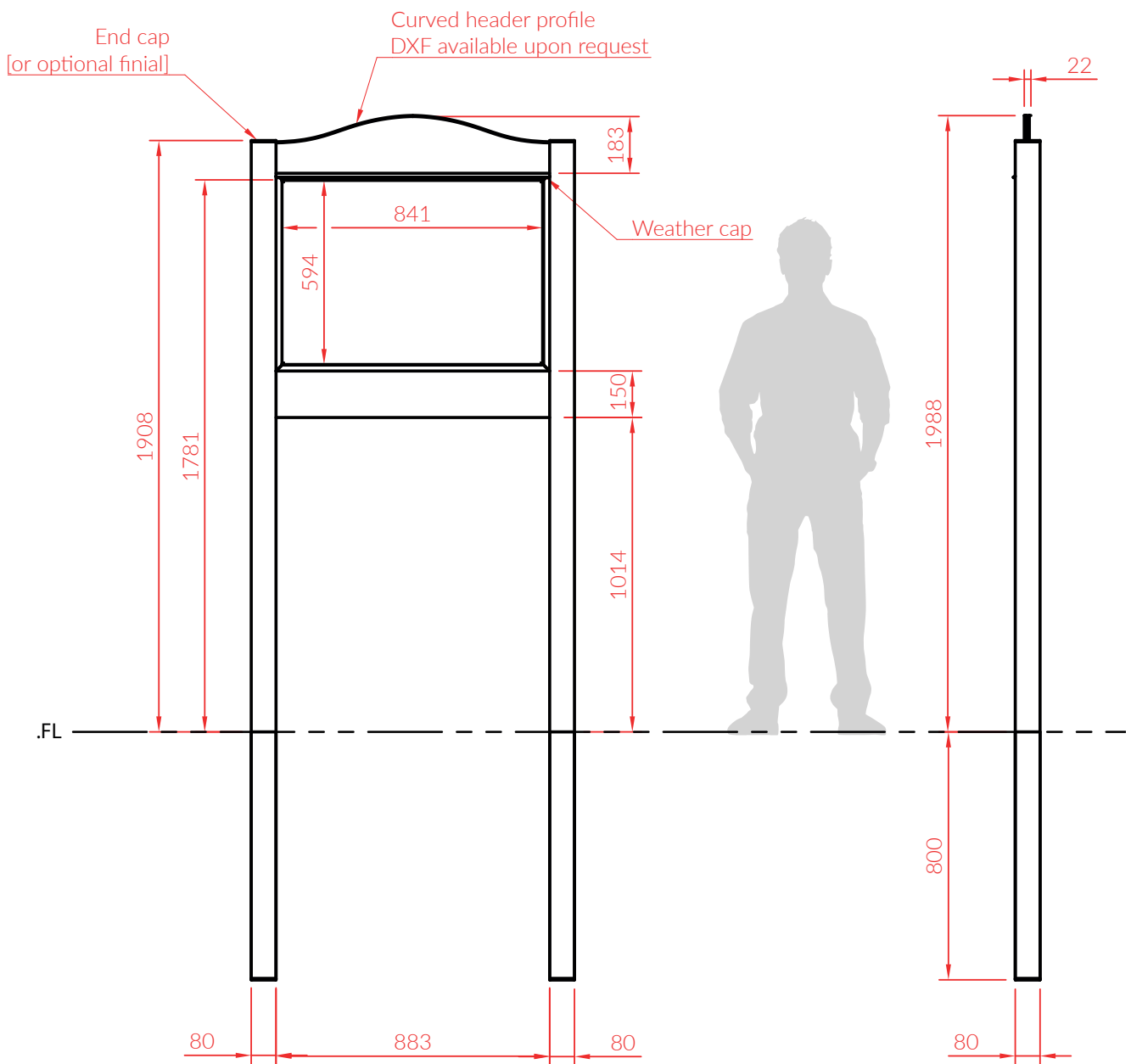
Product	AOL (2xA1P) Stockholm Notice Case
Model	72007/AOL.NC
Dimensions	H 2854 x W 1549 x D 80mm
Materials	Powder coated aluminium
Artwork dimensions	W 594 x H 841mm
Fixing	Root fixed (concreted in ground) / Bolt down



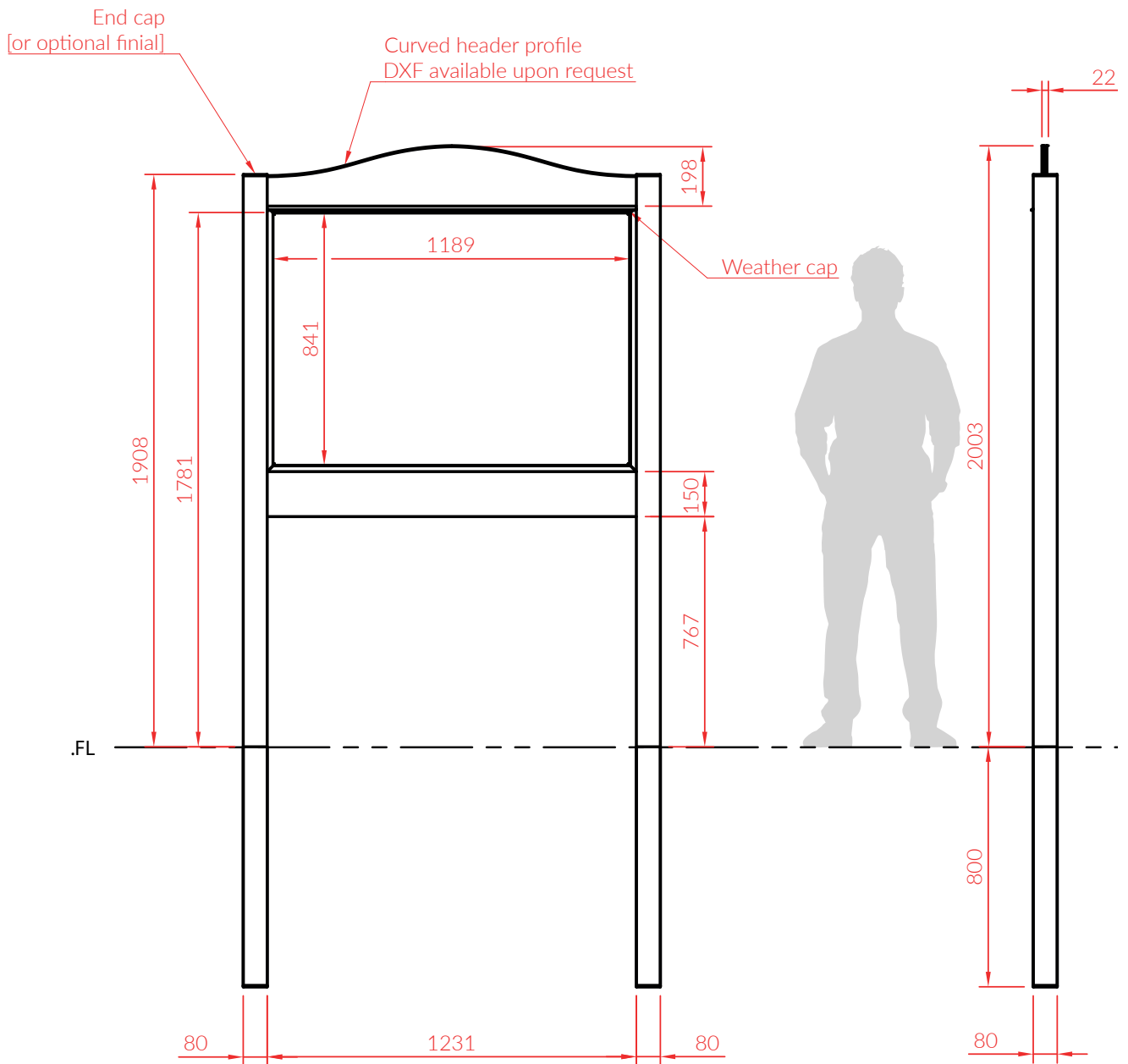
Product	A2P Stockholm Notice Case
Model	72007/A2P.IS
Dimensions	H 2753 x W 622 x D 80mm
Materials	Powder coated aluminium
Artwork dimensions	W 420 x H 594mm
Fixing	Root fixed (concreted in ground) / Bolt down



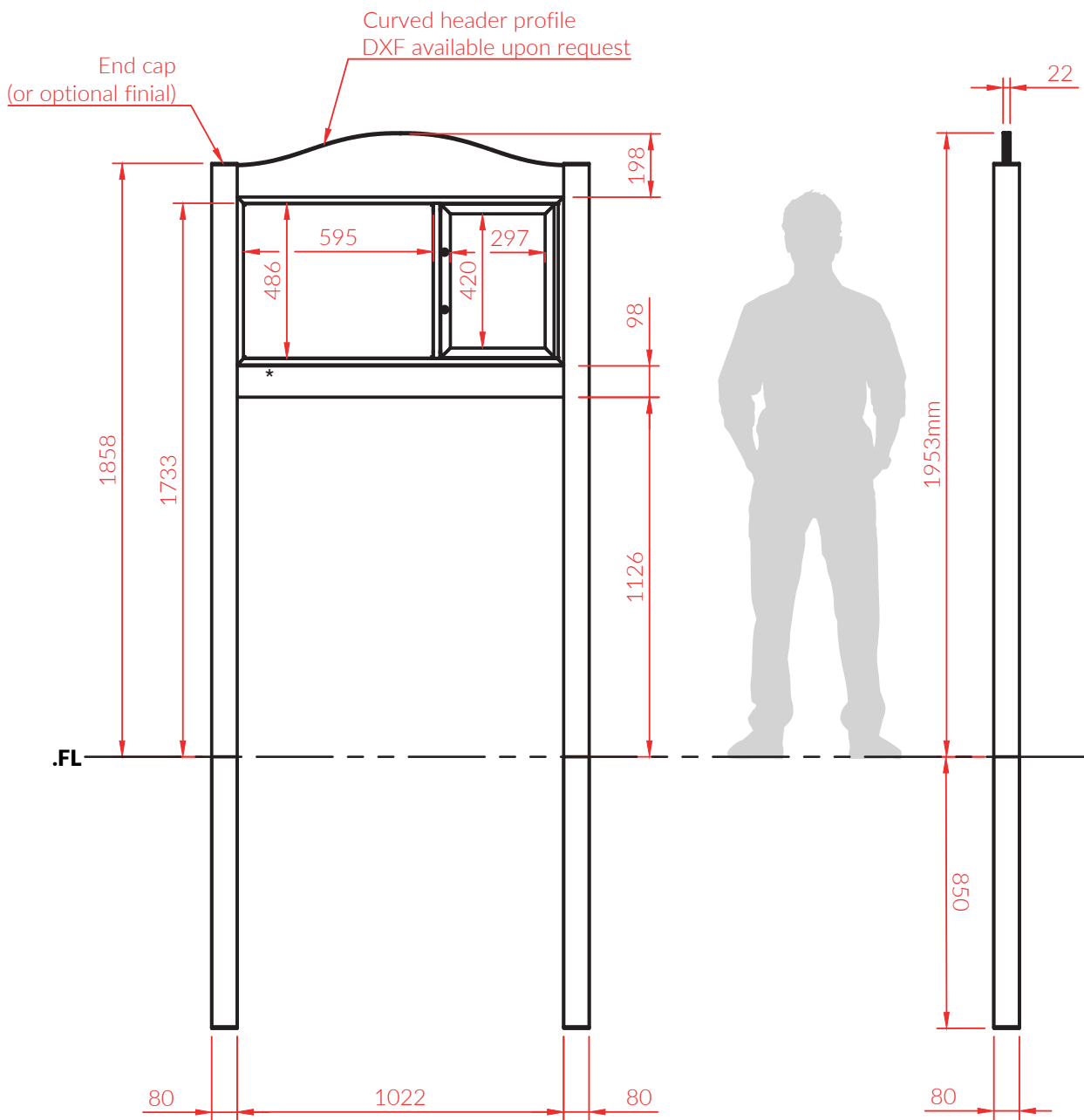
Product	AIP Stockholm Notice Case
Model	72007/AIP.IS
Dimensions	H 2777 x W 796 x D 80mm
Materials	Powder coated aluminium
Artwork dimensions	W 594 x H 841mm
Fixing	Root fixed (concreted in ground) / Bolt down



Product	<b>A1L</b> Stockholm Interpretation Sign
Model	72007/A1L.IS
Dimensions	H 2788 x W 1043 x D 80mm
Materials	Powder coated aluminium
Artwork dimensions	W 841 x H 594mm
Fixing	Root fixed (concreted in ground) / Bolt down

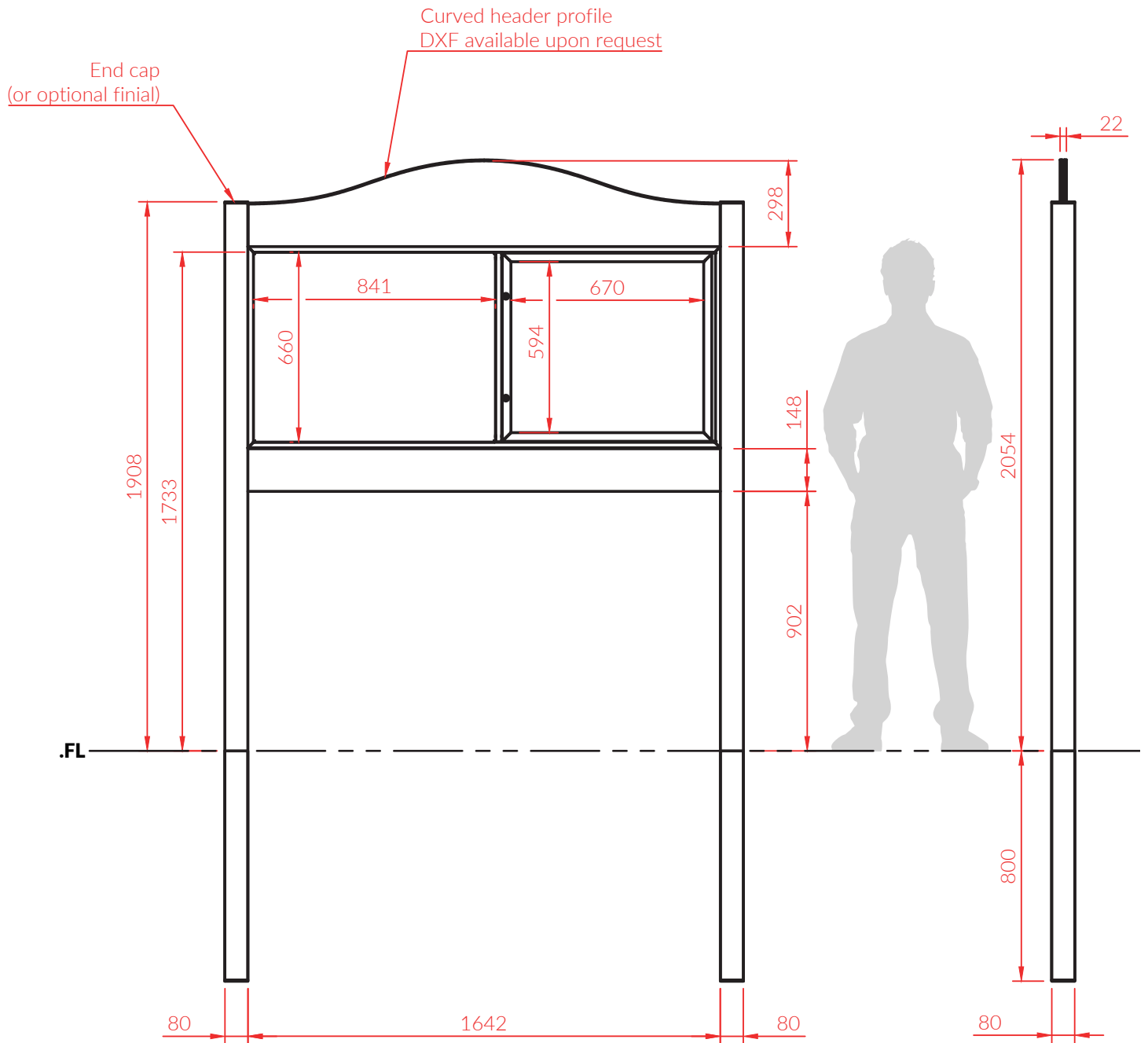


Product	AOL Stockholm Interpretation Sign
Model	72007/AOL.IS
Dimensions	H 2803 x W 1391 x D 80mm
Materials	Powder coated aluminium
Artwork dimensions	W 1189 x H 841mm
Fixing	Root fixed (concreted in ground) / Bolt down

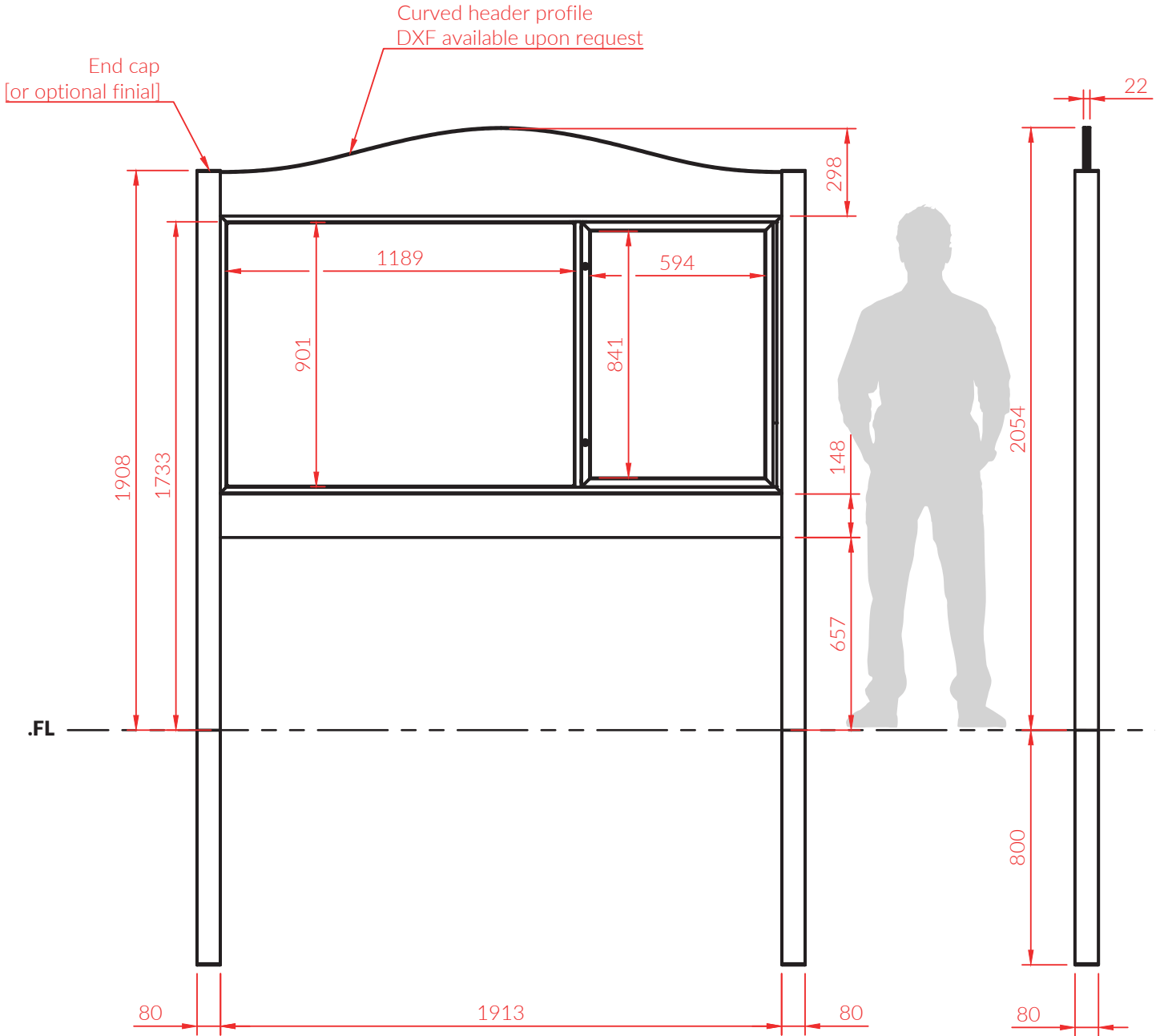


Product	<b>A2L-A3P</b> Stockholm Combination Sign
Model	72007/A2L-A3P
Dimensions	H 2803 x W 1182 x D 80mm
Materials	Powder coated aluminium
Artwork dimensions	W 595 x H 486mm
Fixing	Root fixed (concreted in ground) / Bolt down





Product	<b>A1L-6xA4P</b> Stockholm Combination Sign
Model	72007/A1L-6xA4P
Dimensions	H 2854 x W 1642 x D 80mm
Materials	Powder coated aluminium
Artwork dimensions	W 841 x H 660mm
Fixing	Root fixed (concreted in ground) / Bolt down



Product	<b>A1L-6xA4P</b> Stockholm Combination Sign
Model	72007/A1L-6xA4P
Dimensions	H 2854 x W 1642 x D 80mm
Materials	Powder coated aluminium
Artwork dimensions	W 1189 x H 901mm
Fixing	Root fixed (concreted in ground) / Bolt down