

PRODUCT SPECIFICATION

DOVER

74028 PLANTER/BENCH

The Dover planter is a sophisticated seating solution that brings people and plants closer together even in the most urban settings. It provides an opportunity to increase not only the planting capacity of a space but its seating capacity too, with up to 3 cladded seats! The planter has a unique system that captures rain water and keeps it stored at just the right level. Additionally twin wall thermal insulation keeps soil at a stable temperature, encouraging healthy, beautiful foliage. It is easily mobilised due to its footing that allows access with a pump truck or fork lift.

PRODUCT FEATURES

- Rotational moulded recycled plastic
- Typically clad with Opepe (tropical hardwood)
- Standard 1800mm length (seats 3-6 people back to back)
- Lifting points for pump trucks and fork lifts
- Reservoir with water level management system
- Twin wall insulation to stabilise soil temperature
- 1 year manufacturer's warranty
- 4 week delivery (from approval/payment)

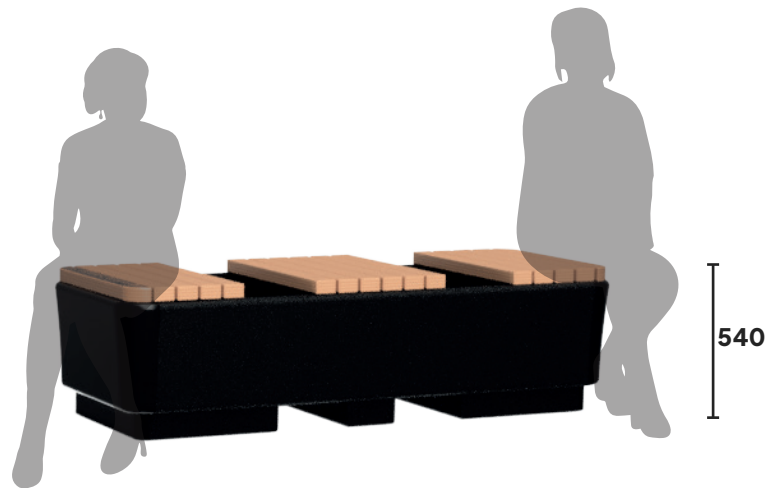
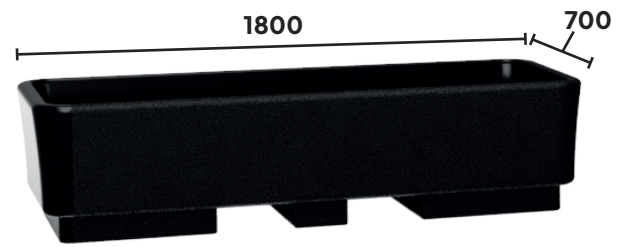
ADDITIONAL OPTIONS

- Alternative timbers e.g. Iroko, oak or chestnut
- Engravings to seat slats
- Graphics panels and plaques
- Oiled preservative finish

INSTALLATION GUIDELINES

(These are guidelines only and do not replace, advice from qualified professionals)

- Free-standing - Leave in place weighted to ground.
- Bolt down - Use epoxy-fixed M12 (or similar) zinc plated anchor bolts on a flats surface e.g. a concrete pad.



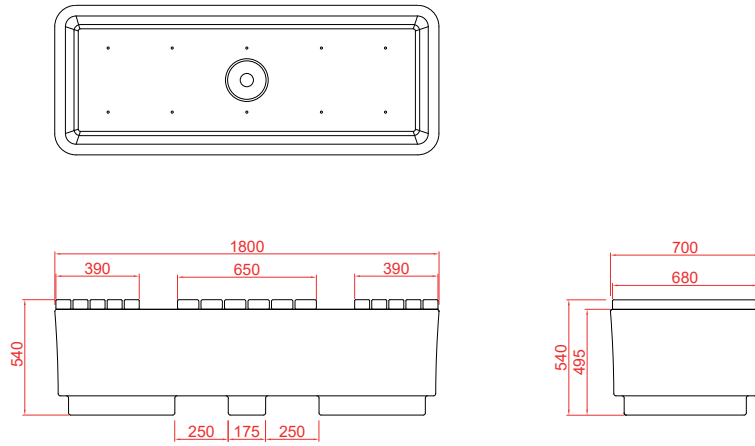
PROJECT EXAMPLES TOWN GARDENS



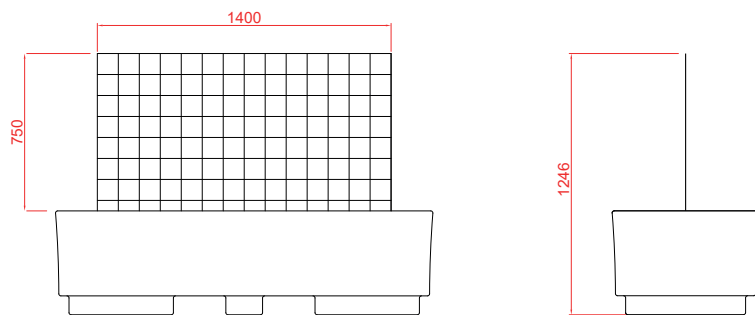
RELATED PRODUCTS 71018 LINCOLN - Bench



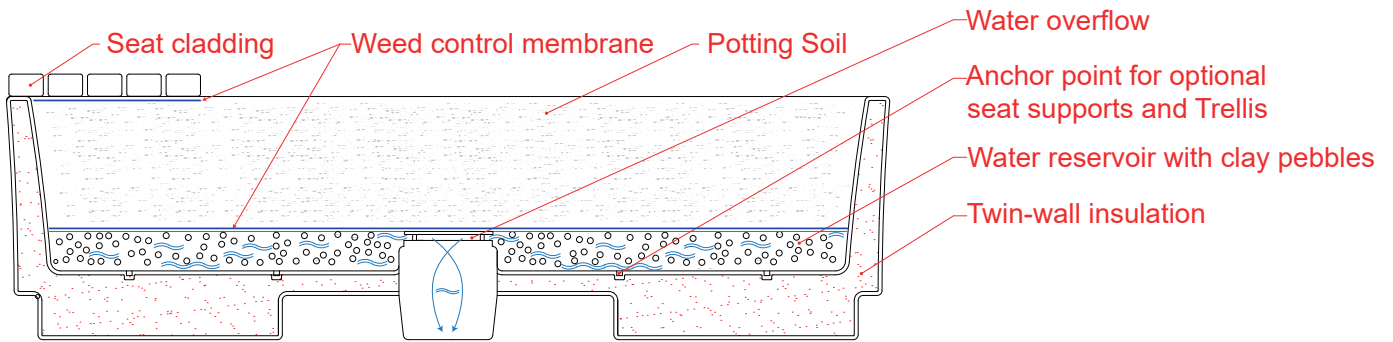
Critical dimensions & seat options



Trellis option



Cross-sectional details



Product	Dover Planter
Model	74028
Dimensions (of tub)	H 495 x D 700 x L 1800mm
Materials	Recycled plastic
Colour	Black or Grey
Fixing	Free-standing or Bolt-down

