



6+



33



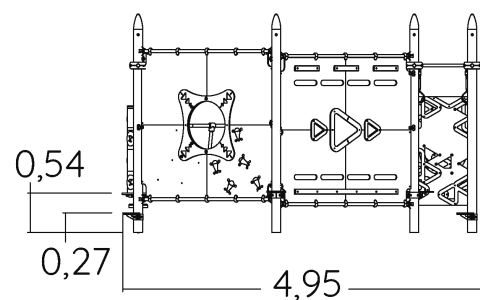
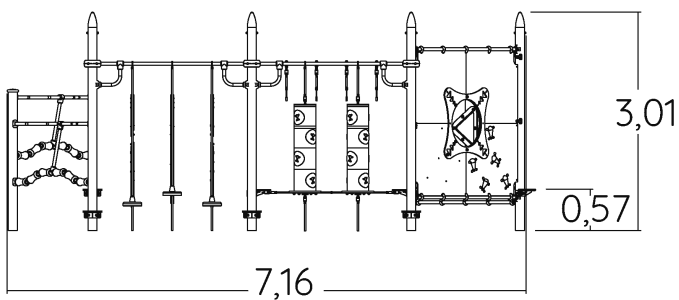
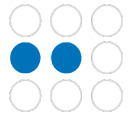
2,46m



1 = 7,28m
2 = 4,88m
3 = 3,01m



Physical inclusion
Sensory inclusion
Cognitive inclusion



Play value : **20**

balancing



x6

getting across



x8

climbing



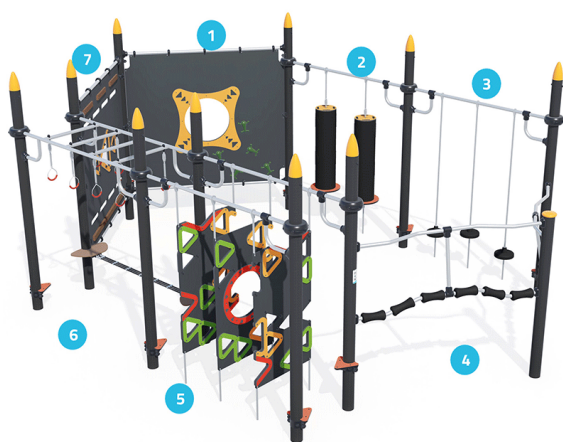
x2

hanging



x4



Components

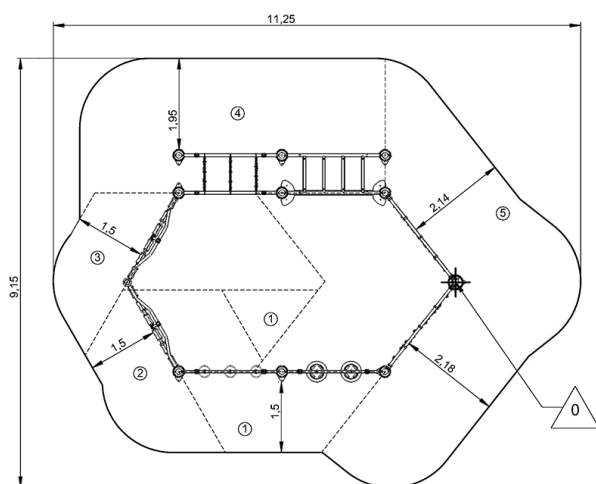


- ① Mur panneau
- ② Rouleaux suspendus
- ③ Plôts suspendus
- ④ Side-step Walkway
- ⑤ Passe muraille
- ⑥ Passerelle anneaux
- ⑦ Paroi d'escalade

Installation of equipment

IMPORTANT: It is essential to refer to the installation instructions for information on the size of the safety areas.

-  Impact area (minimum normative surface)
-  Free space



1	0,6m	8m ²
2	0,85m	8,5m ²
3	1,22m	5m ²
4	2,32m	25m ²
5	2,46m	34m ²



2



13h50



0.87m³



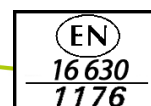
79.5m²



1021kg



106kg





Components

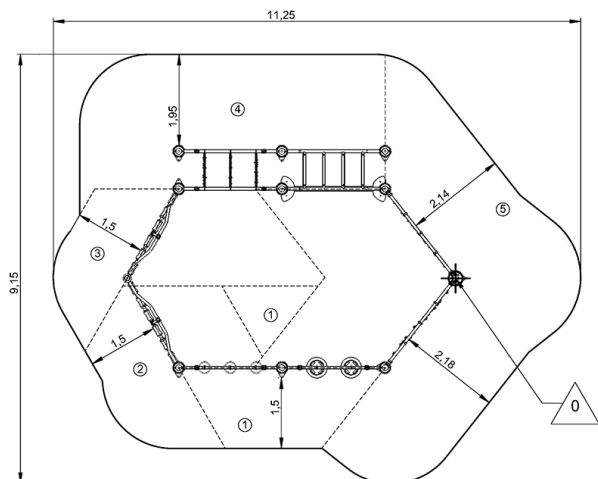


- 1 Mur panneau
- 2 Rouleaux suspendus
- 3 Plôts suspendus
- 4 Side-step Walkway
- 5 Passe muraille
- 6 Passerelle anneaux
- 7 Paroi d'escalade

Installation of equipment

IMPORTANT: It is essential to refer to the installation instructions for information on the size of the safety areas.

-  Impact area (minimum normative surface)
-  Free space



1	0,6m	8m ²
2	0,85m	8,5m ²
3	1,22m	5m ²
4	2,32m	25m ²
5	2,46m	34m ²



2



13h50



0.87m³



79.5m²



1021kg



106kg

