


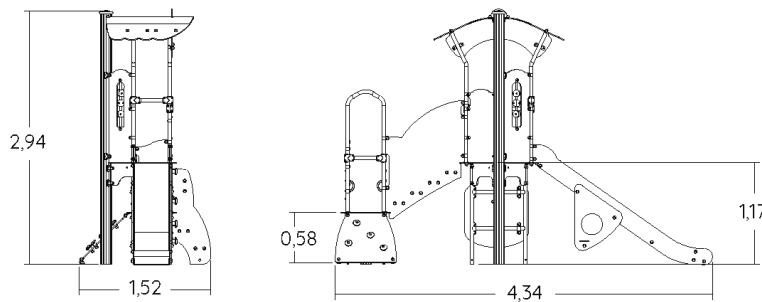
 **2+**  
 **15**  
 **1,17m**






  
 1 = 4,34m  
 2 = 1,52m  
 3 = 2,94m



Physical inclusion  
Sensory inclusion  
Cognitive inclusion



**Play value :** **13**

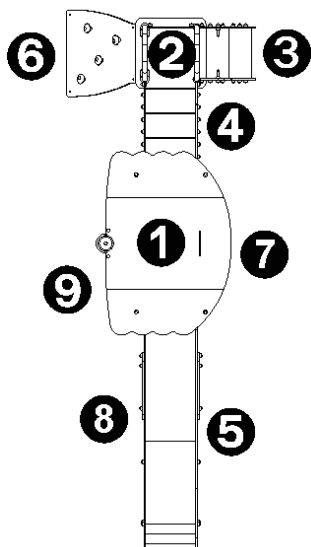
climbing	sliding	meeting	resting	handling	hiding	taking shelter	tactile stimulation
							
<b>x2</b>	<b>x1</b>	<b>x2</b>	<b>x1</b>	<b>x1</b>	<b>x1</b>	<b>x1</b>	<b>x1</b>

climbing



**x3**



## Components

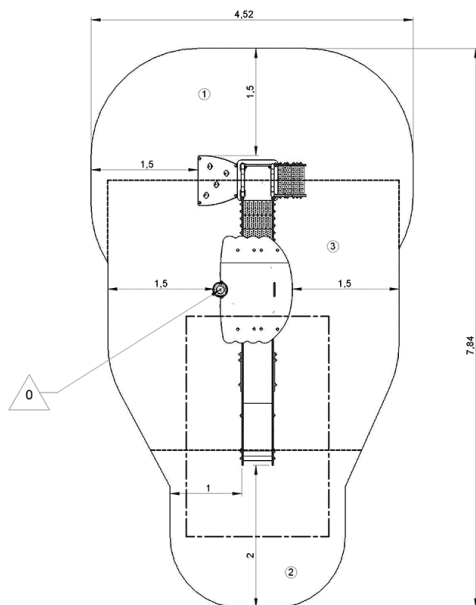


- ① Tower HT: 1.17m
- ② Platform HT: 0.6m
- ③ Steps
- ④ Connecting staircase
- ⑤ Slide HT: 1.17m
- ⑥ Slope
- ⑦ Climbing wall
- ⑧ Seat
- ⑨ Counting panel

## Installation of equipment

**IMPORTANT:** It is essential to refer to the installation instructions for information on the size of the safety areas.

-  Impact area (minimum normative surface)
-  Free space



1	0,6m	8m <sup>2</sup>
2	1m	5,5m <sup>2</sup>
3	1,17m	15m <sup>2</sup>



2



18h00



0.2m<sup>3</sup>



28.5m<sup>2</sup>



290kg



32kg

EN  
1176