



2+



30



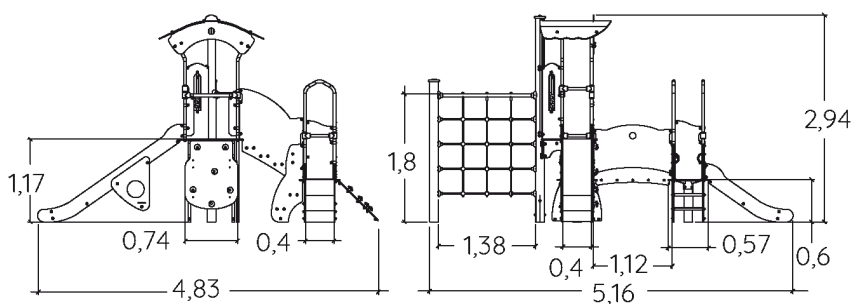
1,8m



1 = 5,16m  
2 = 4,83m  
3 = 2,94m



Physical inclusion  
Sensory inclusion  
Cognitive inclusion



Play value : **18**

climbing



x2

sliding



x2

meeting



x3

resting



x1

handling



x1

hiding



x1

taking shelter



x1

tactile stimulation



x1

climbing



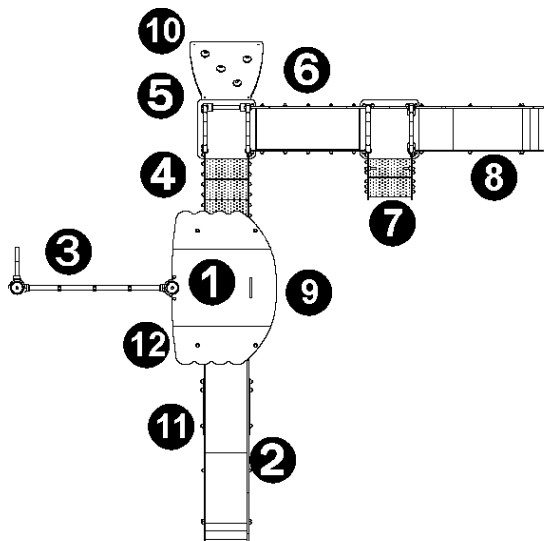
x4

getting across



x2



## Components

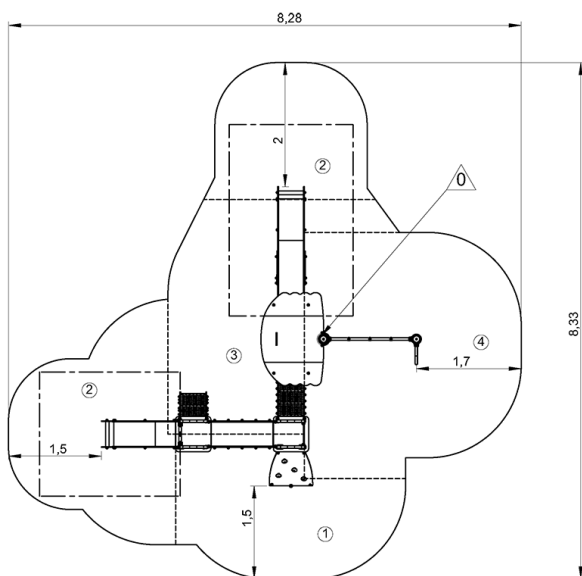


- 1 Tower HT: 1.17m
- 2 Slide HT: 1.17m
- 3 Climbing net
- 4 Connecting staircase
- 5 Platform HT: 0.6m
- 6 Walkway
- 7 Steps
- 8 Slide HT: 0.6m
- 9 Climbing wall
- 10 Seat
- 11 Slope
- 12 Counting panel

## Installation of equipment

**IMPORTANT:** It is essential to refer to the installation instructions for information on the size of the safety areas.

-  Impact area (minimum normative surface)
-  Free space



1	0,6m	7m <sup>2</sup>
2	1m	13m <sup>2</sup>
3	1,17m	9m <sup>2</sup>
4	1,8m	12,5m <sup>2</sup>



2



16h00



0.3m<sup>3</sup>



41.5m<sup>2</sup>



426kg



32kg

EN  
1176