


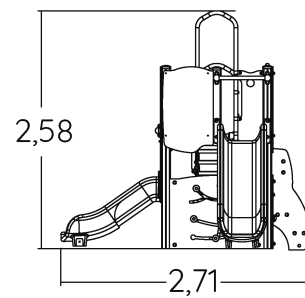
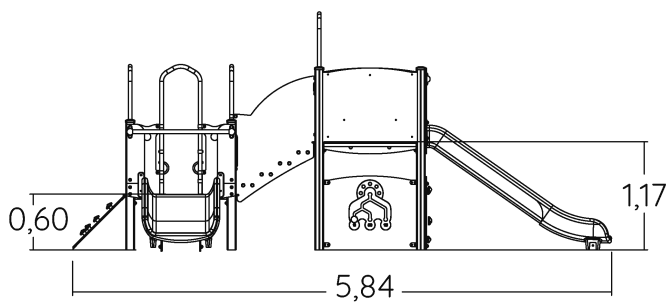
 **2+**
 **20**
 **1,17m**



 1 = 5,85m
 2 = 2,71m
 3 = 2,58m



Physical inclusion
Sensory inclusion
Cognitive inclusion



Play value : **14**

climbing



x1

role play



x1

sliding



x2

meeting



x1

handling



x3

taking shelter



x1

tactile stimulation



x3

climbing

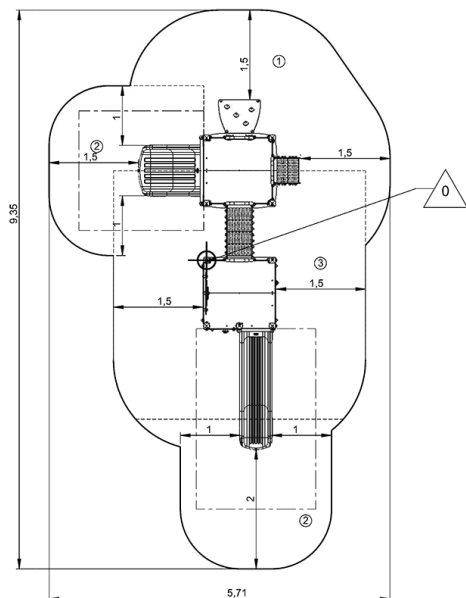


x2

Installation of equipment

IMPORTANT: It is essential to refer to the installation instructions for information on the size of the safety areas.

-  Impact area (minimum normative surface)
-  Free space



1	0,6m	8,5m ²
2	1m	11,5m ²
3	1,17m	17,5m ²



2



12h00



0.44m³



37.5m²



529kg



54kg

EN
1176