



3+



20



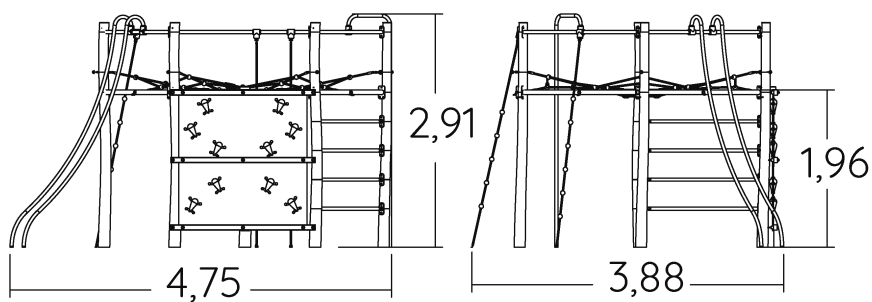
2,2m



1 = 4,75m  
2 = 3,88m  
3 = 2,96m



Physical inclusion  
Sensory inclusion  
Cognitive inclusion



Play value :

11

climbing



x1

sliding



x2

meeting



x1

resting



x1

hanging



x1

balancing



x2



climbing

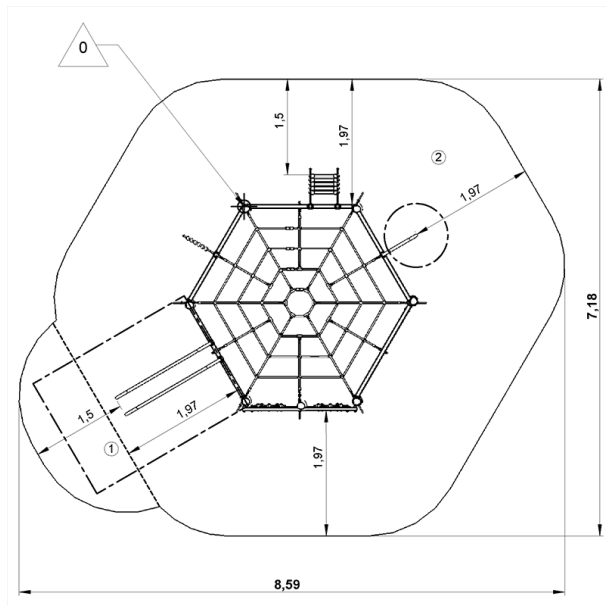




x3

## Installation of equipment

**IMPORTANT:** It is essential to refer to the installation instructions for information on the size of the safety areas.

-  Impact area (minimum normative surface)
-  Free space



		
1	0,6m	3,5m <sup>2</sup>
2	2,2m	49m <sup>2</sup>



2



30h00



0.61m<sup>3</sup>



52.5m<sup>2</sup>



447kg



38kg

EN  
1176