


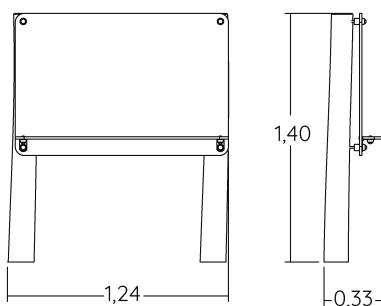
 **3+**
 **2**
 **0,6m**



1 = 1,24m
2 = 0,33m
3 = 1,4m



Physical inclusion
Sensory inclusion
Cognitive inclusion



Play value : **4**

role play



x1

meeting



x1

handling



x1



thinking

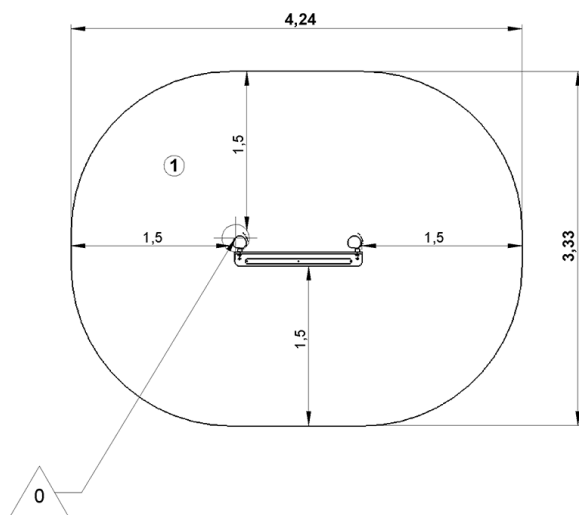




x1

Installation of equipment

IMPORTANT: It is essential to refer to the installation instructions for information on the size of the safety areas.

-  Impact area (minimum normative surface)
-  Free space



		
1	0m	12,5m ²



2



01h00



0.13m³



12.5m²



63kg



22kg

EN
1176