

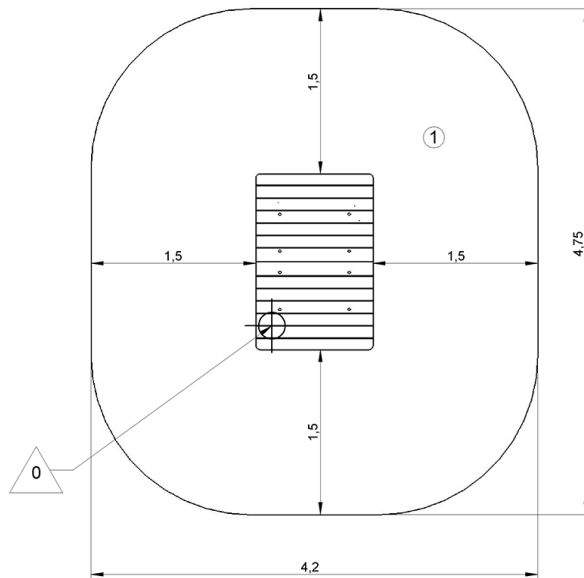




Installation of equipment

IMPORTANT: It is essential to refer to the installation instructions for information on the size of the safety areas.

-  Impact area (minimum normative surface)
-  Free space



		
1	<0,6m	18,5m ²



2



4h00



0m³



18.5m²



271kg



269kg

EN
1176