



4+



30



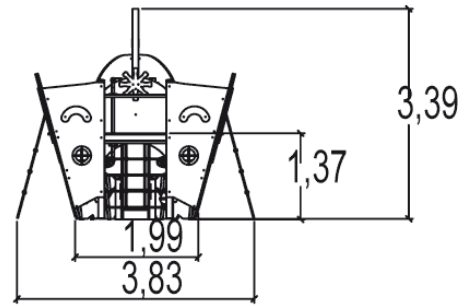
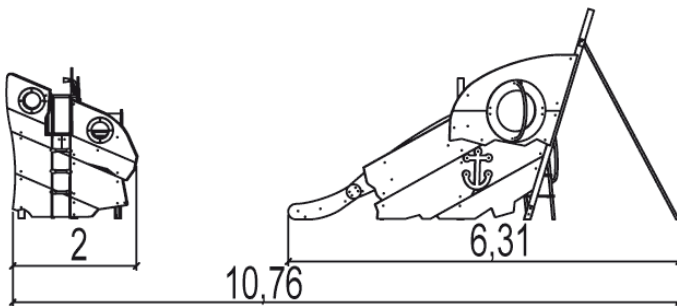
1,37m



1 = 11m
2 = 3,72m
3 = 3,37m



Physical inclusion
Sensory inclusion
Cognitive inclusion



Play value : **15**

role play



x1

sliding



x1

meeting



x1

handling



x1

hiding



x2

balancing



x2

sound stimulation



x1

tactile stimulation



x1

visual stimulation



x1



climbing

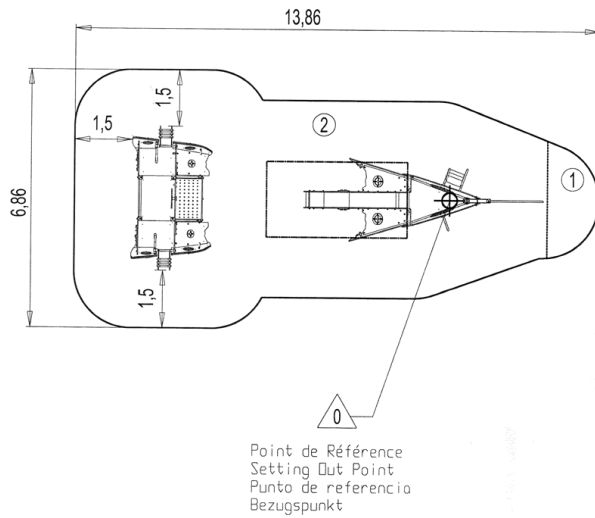




x4

Installation of equipment

IMPORTANT: It is essential to refer to the installation instructions for information on the size of the safety areas.

-  Impact area (minimum normative surface)
-  Free space



| |  |  |
|---|---|---|
| 1 | 0,6m | 5m ² |
| 2 | 1,37m | 66,5m ² |



2



32h00



0.7m³



71.5m²



973kg



27kg

EN
1176