



10-98



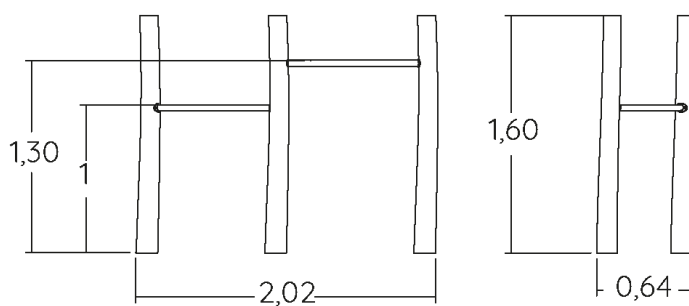
2



1,3m



1 = 2,03m
2 = 0,66m
3 = 1,6m



Play value : 1



hanging

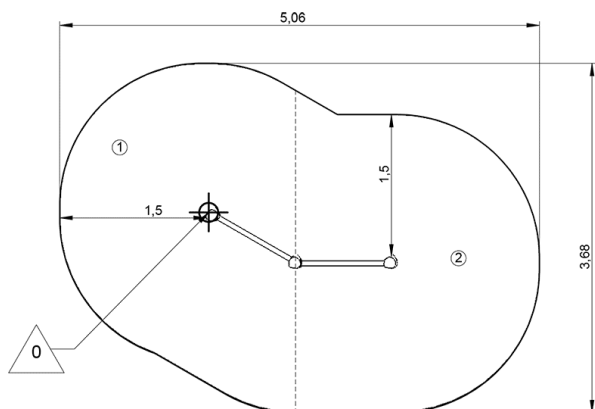




x1

Installation of equipment

IMPORTANT: It is essential to refer to the installation instructions for information on the size of the safety areas.

-  Impact area (minimum normative surface)
-  Free space



		
1	1m	7,5m ²
2	1,3m	7,5m ²



2



01h00



0.2m³



15m²



79kg



25kg

