


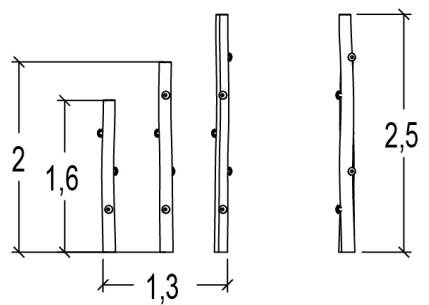
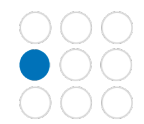
 **4+**  
 **3**  
 **2,1m**





- 
 1 = 1,3m  
 2 = 0,14m  
 3 = 2,5m



Physical inclusion  
 Sensory inclusion  
 Cognitive inclusion



**Play value :** **4**

- |  |   |   |  |
|--|---|---|--|
| climbing<br><br><b>x1</b> | meeting<br><br><b>x1</b> | balancing<br><br><b>x1</b> | getting across<br><br><b>x1</b> |
|--|---|---|--|

## Components

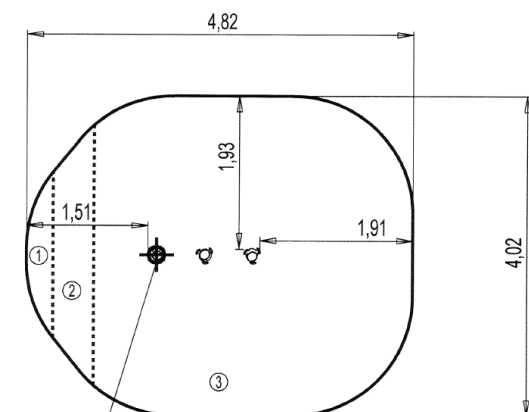
### 1 Climbing posts



## Installation of equipment

**IMPORTANT:** It is essential to refer to the installation instructions for information on the size of the safety areas.

- Impact area (minimum normative surface)
- Free space



0  
Point de Référence  
Setting Out Point  
Punto de referencia  
Bezugspunkt  
Referentiepunt



1	1,5m	0,5m <sup>2</sup>
2	1,7m	1,5m <sup>2</sup>
3	2,1m	15m <sup>2</sup>



2



02h00



0.19m<sup>3</sup>



17m<sup>2</sup>



92kg



35kg

EN  
1176