



3+



5



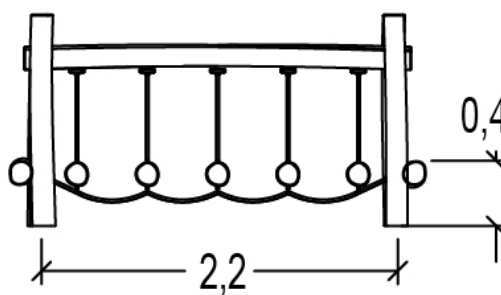
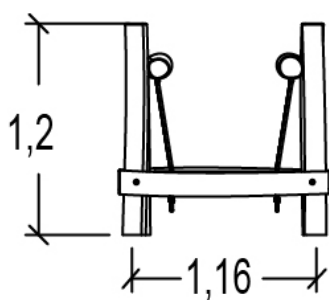
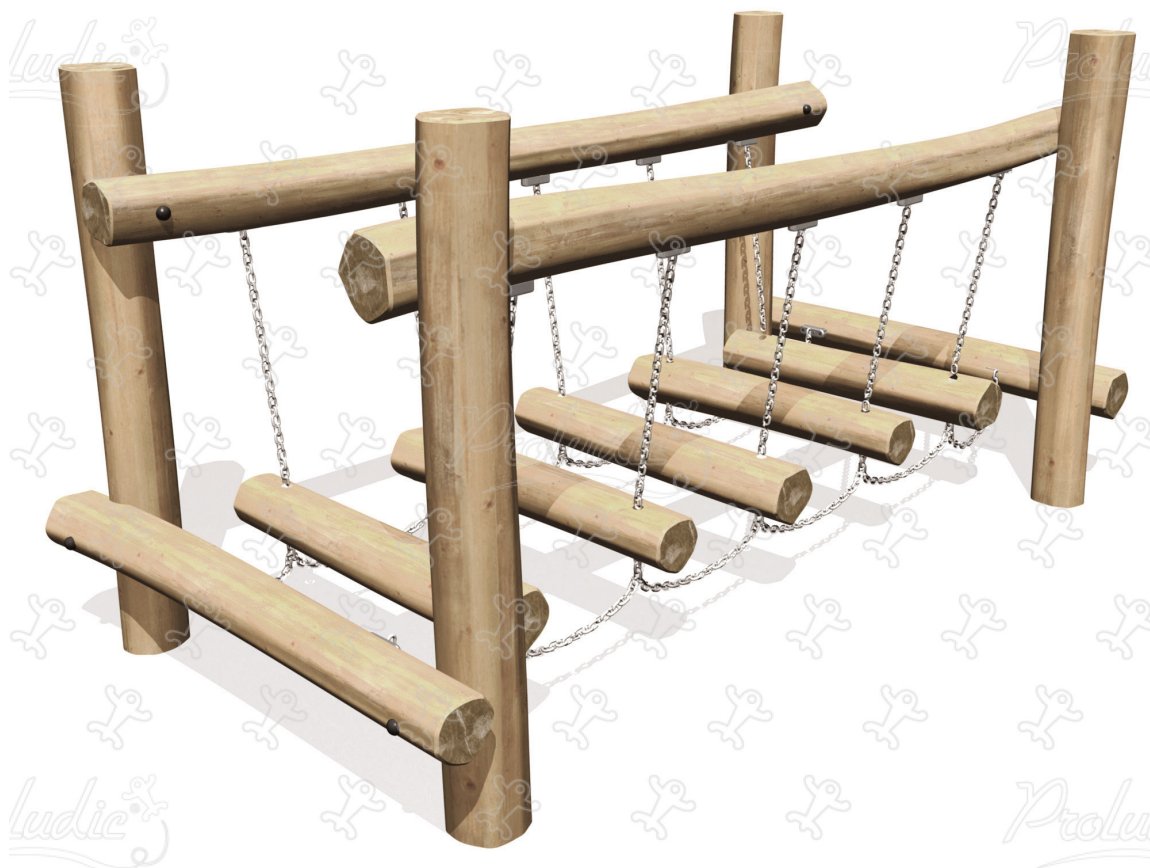
0,6m



1 = 2m
2 = 1m
3 = 1,2m



Physical inclusion
Sensory inclusion
Cognitive inclusion



Play value : **3**

meeting



x1

balancing



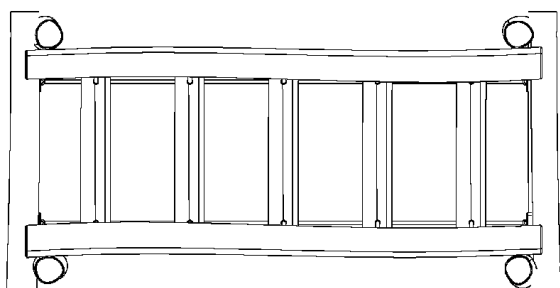
x1

getting across



x1



Components

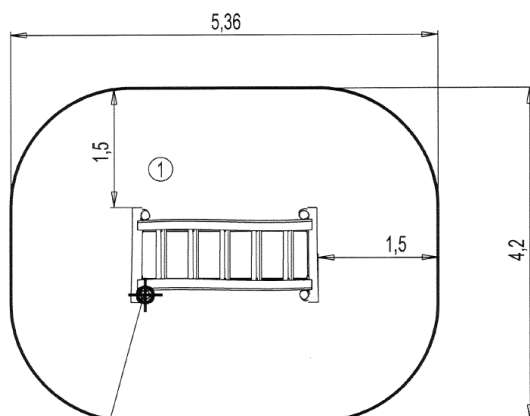


1 Swinging log steps



Installation of equipment

IMPORTANT: It is essential to refer to the installation instructions for information on the size of the safety areas.

-  Impact area (minimum normative surface)
-  Free space



Point de Référence
Setting Out Point
Punto de referencia
Bezugspunkt
Referentiepunt

| | | |
|---|---|---|
| |  |  |
| 1 | <0,6m | 21m ² |



2



02h00



0m³



21m²



181kg



42kg

EN
1176