



3+



5



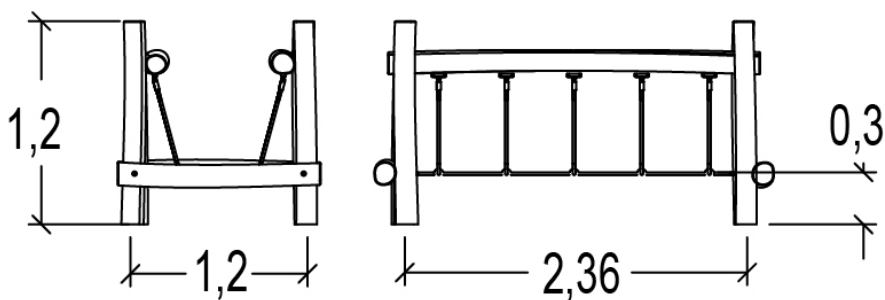
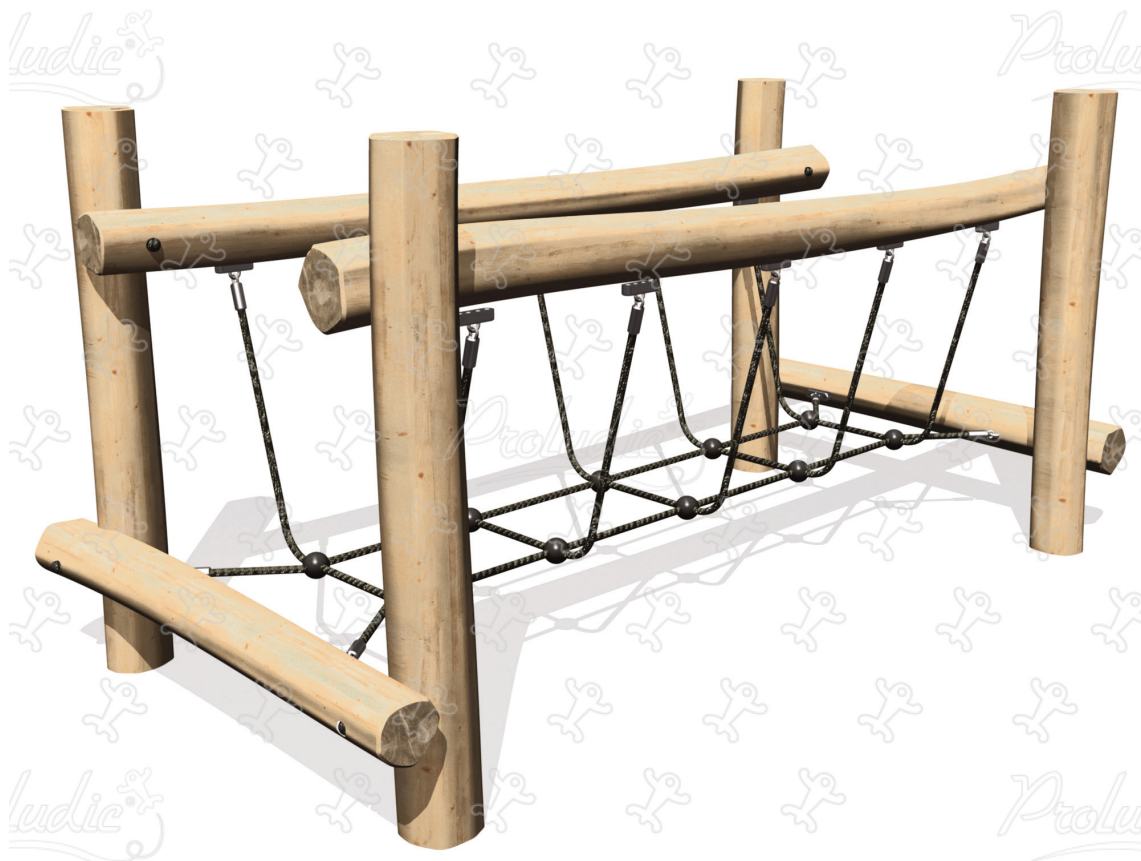
0,6m



1 = 2,36m
2 = 1,2m
3 = 1,2m



Physical inclusion
Sensory inclusion
Cognitive inclusion



Play value : **3**

meeting



x1

balancing



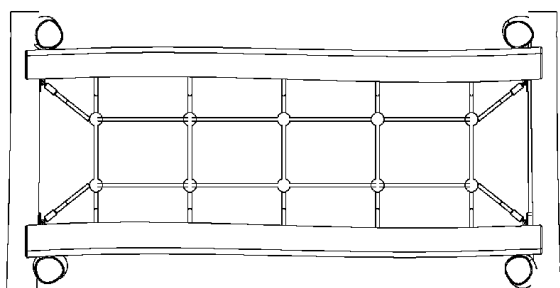
x1

getting across



x1



Components

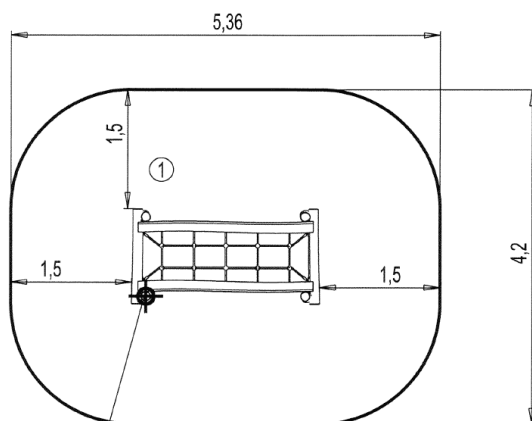


1 Suspended net



Installation of equipment

IMPORTANT: It is essential to refer to the installation instructions for information on the size of the safety areas.

-  Impact area (minimum normative surface)
-  Free space



0
Point de Référence
Setting Out Point
Punto de referencia
Bezugspunkt
Referentiepunt

		
1	<0,6m	21m ²



2



02h00



0m³



21m²



145kg



20kg

EN
1176