



3+



6



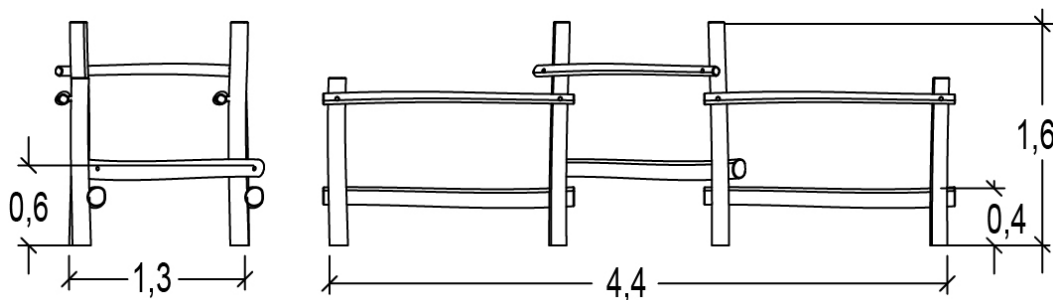
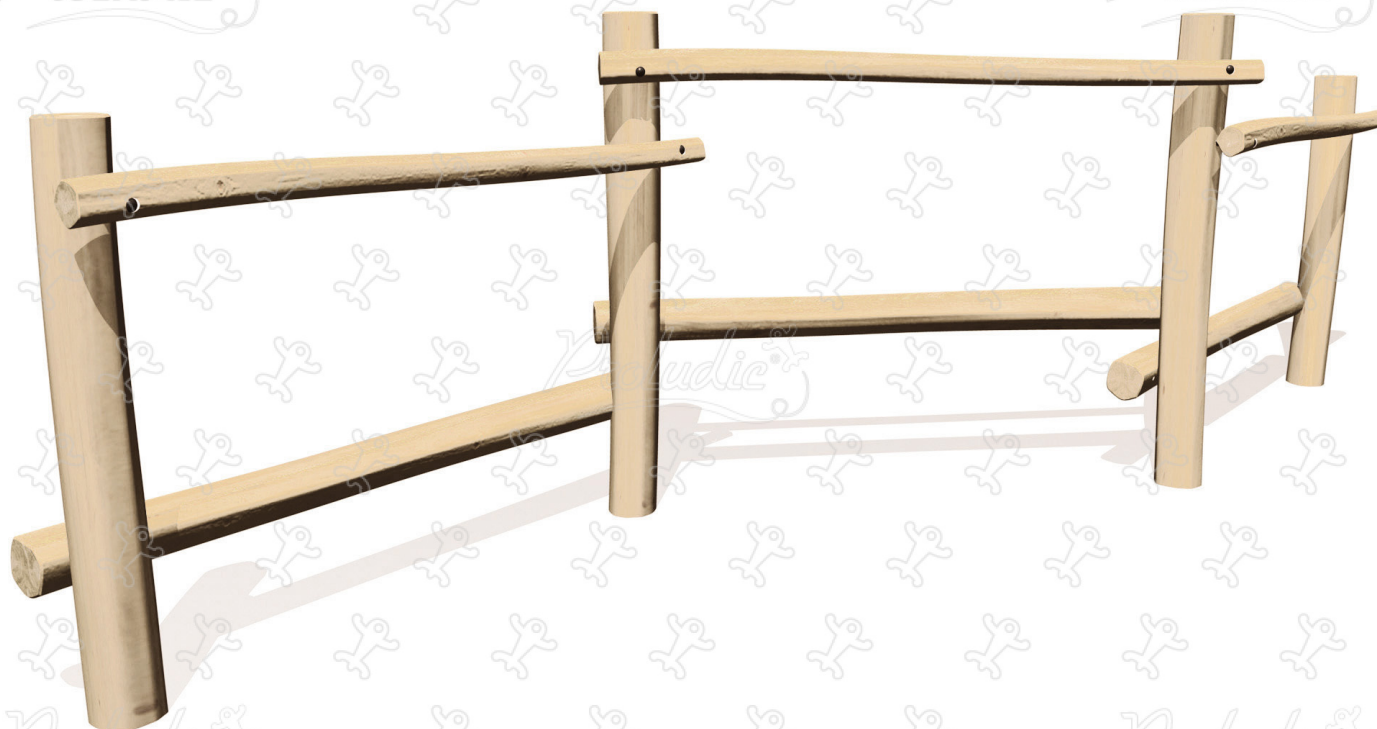
0,6m



1 = 4,4m
2 = 1,3m
3 = 1,6m



Physical inclusion
Sensory inclusion
Cognitive inclusion



Play value : **3**

meeting



x1

balancing



x1

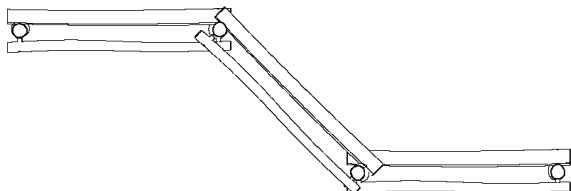
getting across



x1



Components

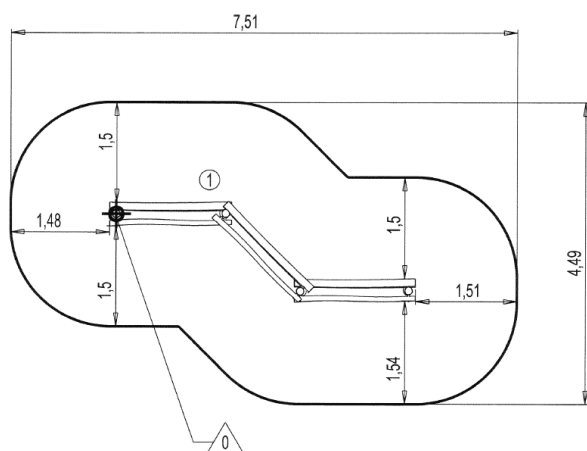
1 Log walkway





Installation of equipment

IMPORTANT: It is essential to refer to the installation instructions for information on the size of the safety areas.

-  Impact area (minimum normative surface)
-  Free space



Point de Référence
Setting Out Point
Punto de referencia
Bezugspunkt

		
1	<0,6m	25m ²



2



02h00



0.27m³



25m²



152kg



25kg

EN
1176