



3+



5



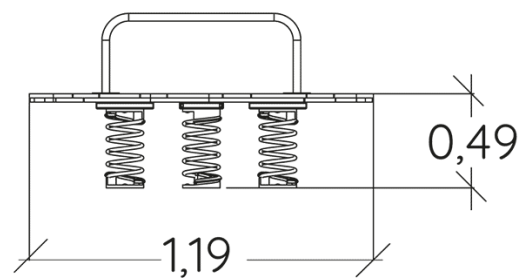
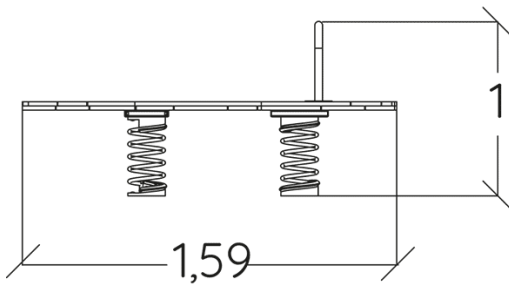
0,6m



1 = 1,59m
2 = 1,19m
3 = 1m



Physical inclusion
Sensory inclusion
Cognitive inclusion



Play value :

4

role play



x1

meeting



x1

balancing



x1

Oscillate

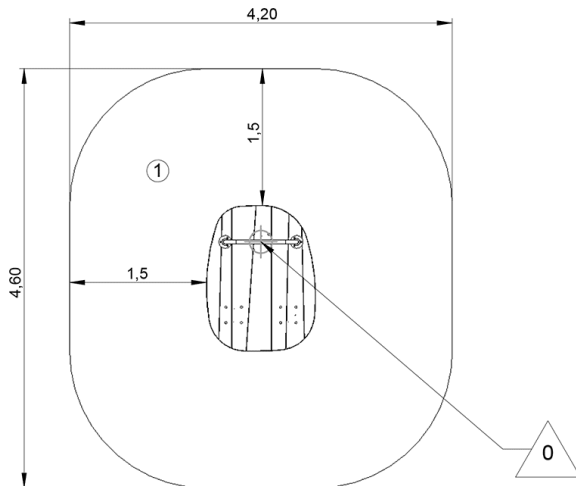




x1

Installation of equipment

IMPORTANT: It is essential to refer to the installation instructions for information on the size of the safety areas.

-  Impact area (minimum normative surface)
-  Free space



		
1	0,60m	17,5m ²



2



03h00



0.02m³



17.5m²



142kg



80kg

EN
1176