


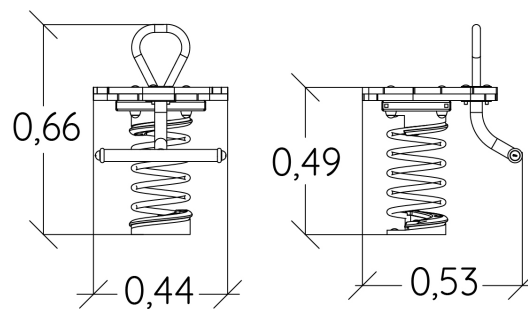
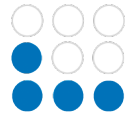
 2+
 1
 0,6m


 1 = 0,53m
 2 = 0,44m
 3 = 0,66m



Physical inclusion
Sensory inclusion
Cognitive inclusion



Play value : **3**

role play

balancing

Oscillate



x1



x1

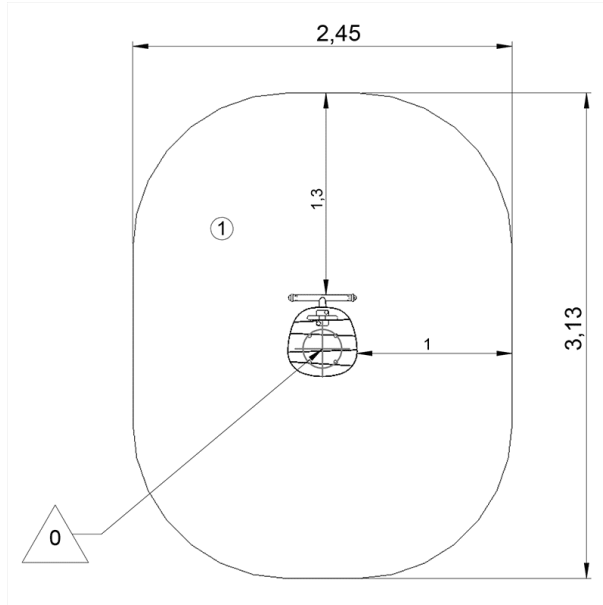




x1

Installation of equipment

IMPORTANT: It is essential to refer to the installation instructions for information on the size of the safety areas.

-  Impact area (minimum normative surface)
-  Free space



		
1	0,60m	7m ²



2



02h15



0m³



7m²



27kg



11kg

EN
1176