



2+



2



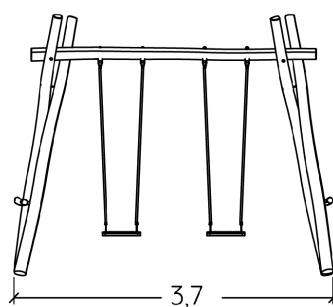
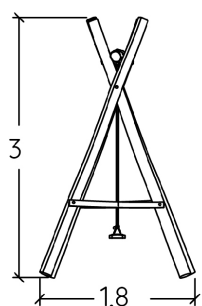
1,4m



1 = 3,7m  
2 = 1,8m  
3 = 3m



Physical inclusion  
Sensory inclusion  
Cognitive inclusion



Play value : **2**

meeting



x1



swinging

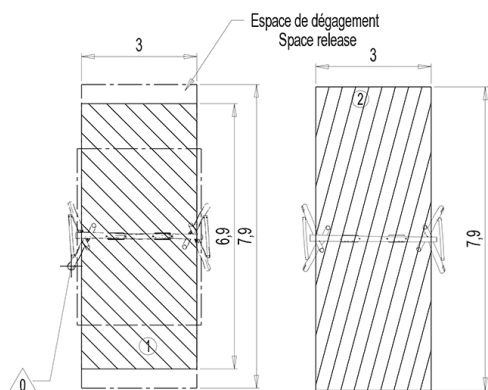


x1


## Installation of equipment

**IMPORTANT:** It is essential to refer to the installation instructions for information on the size of the safety areas.

-  Impact area (minimum normative surface)
-  Free space



Point de Référence  
Setting Out Point  
Punto de referencia  
Bezugspunkt

 Zone d'Impact Sol souple  
Impact Area Wetpour  
Area de Impacto  
Fallraum bei synthetischen Fallschutz

 Zone d'Impact Sol fluent  
Impact Area Loose particle material  
Arenera  
Fallraum bei losen Bodenmaterial

 Espace de dégagement  
Space release



1	1,4m	21m <sup>2</sup>
2	1,4m	24m <sup>2</sup>



2



02h30



0.32m<sup>3</sup>



21m<sup>2</sup>



232kg



42kg

EN  
1176