



1+



2



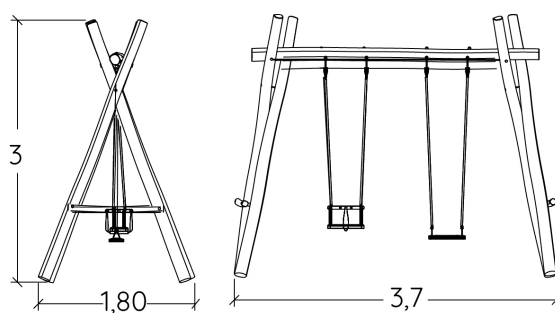
1,5m



1 = 3,7m  
2 = 1,8m  
3 = 3m



Physical inclusion  
Sensory inclusion  
Cognitive inclusion



Play value :

5

meeting



x1

resting



x2

swinging



x2


## Installation of equipment

**IMPORTANT:** It is essential to refer to the installation instructions for information on the size of the safety areas.

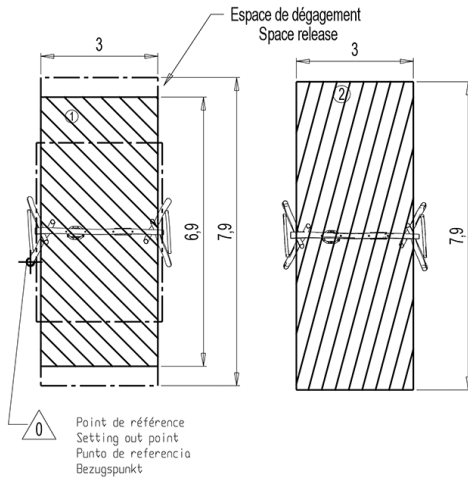
**————** Impact area (minimum normative surface)

**- - - -** Free space

 Zone d'Impact Sol souple  
Impact Area Wetpour  
Area de Impacto  
Fallraum bei synthetischen Fallschutz

 Zone d'Impact Sol fluent  
Impact Area Loose particle material  
Arenero  
Fallraum bei losen Bodenmaterial

**- - - -** Espace de dégagement  
Space release



1	1,5m	21m <sup>2</sup>
2	1,5m	24m <sup>2</sup>



2



02h30



0.32m<sup>3</sup>



21m<sup>2</sup>



235kg



42kg

EN  
1176