



1+



2



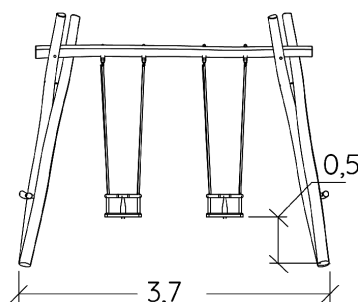
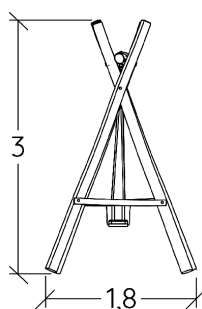
1,5m



1 = 3,7m
2 = 1,8m
3 = 3m



Physical inclusion
Sensory inclusion
Cognitive inclusion



Play value : **3**

meeting



x1


swinging



x2

Installation of equipment

IMPORTANT: It is essential to refer to the installation instructions for information on the size of the safety areas.

 Impact area (minimum normative surface)

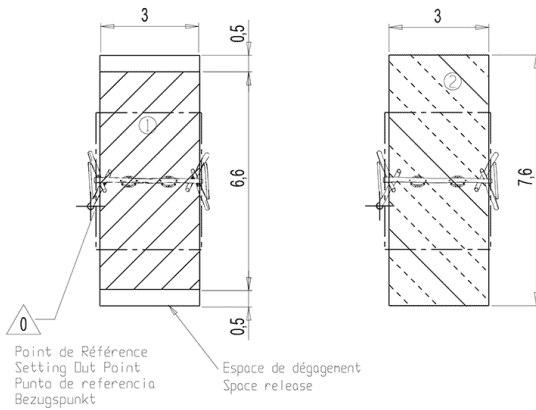
 Free space



Zone d'Impact Sol souple
Impact Area Wetpaur
Area de Impacto
Fallraum bei synthetischen Fallschutz



Zone d'Impact Sol fluent
Impact Area Loose particle material
Arenero
Fallraum bei losen Bodenmaterial



1	1,5m	20m ²
2	1,5m	23m ²



2



01h30



0.11m³



20m²



239kg



42kg

EN
1176