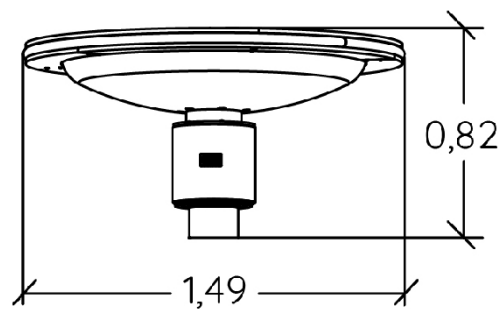
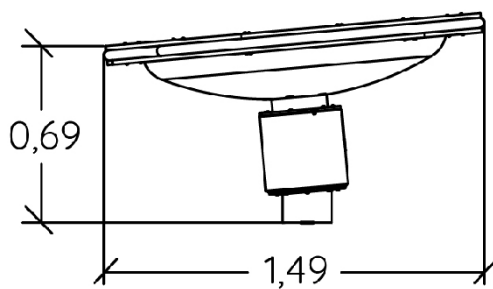
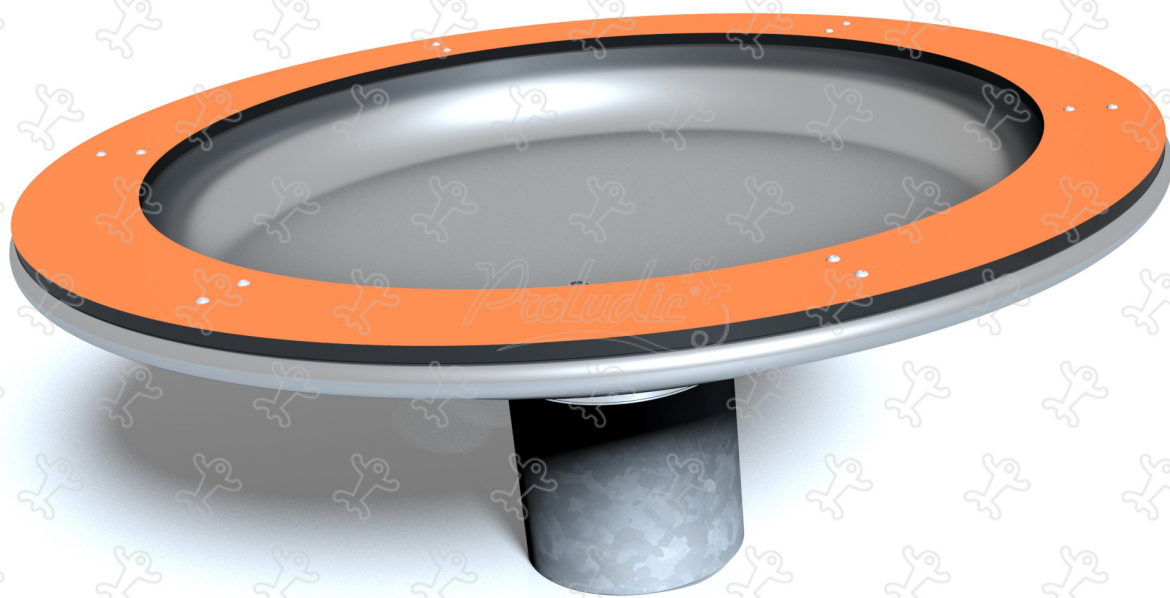


Physical inclusion
Sensory inclusion
Cognitive inclusion



Play value : **3**

meeting

balancing

rotating



x1



x1

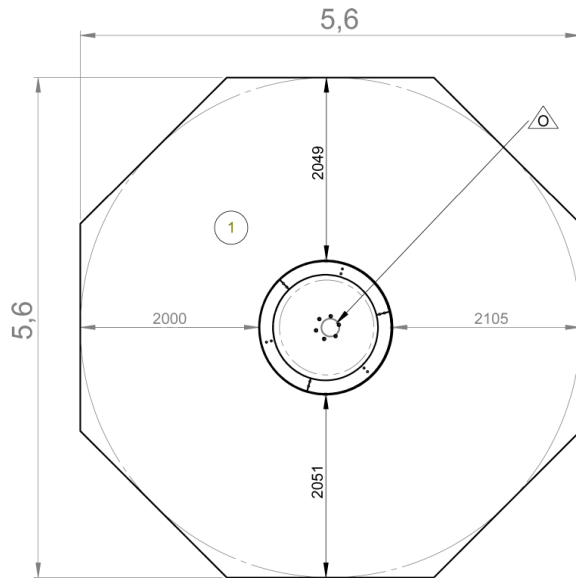




x1

Installation of equipment

IMPORTANT: It is essential to refer to the installation instructions for information on the size of the safety areas.

-  Impact area (minimum normative surface)
-  Free space



		
1	1m	26m ²



2



1h45



0.15m³



26m²



157kg



88kg

EN
1176