



1-5



5



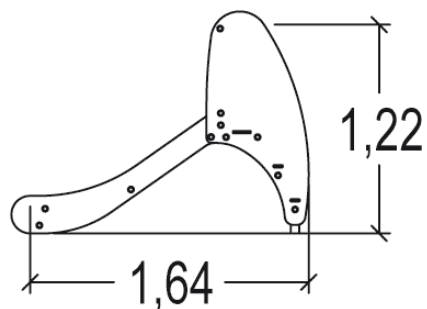
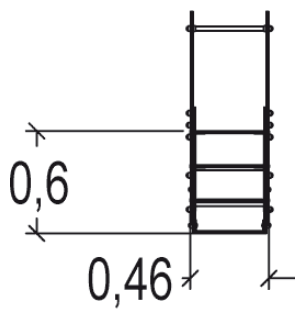
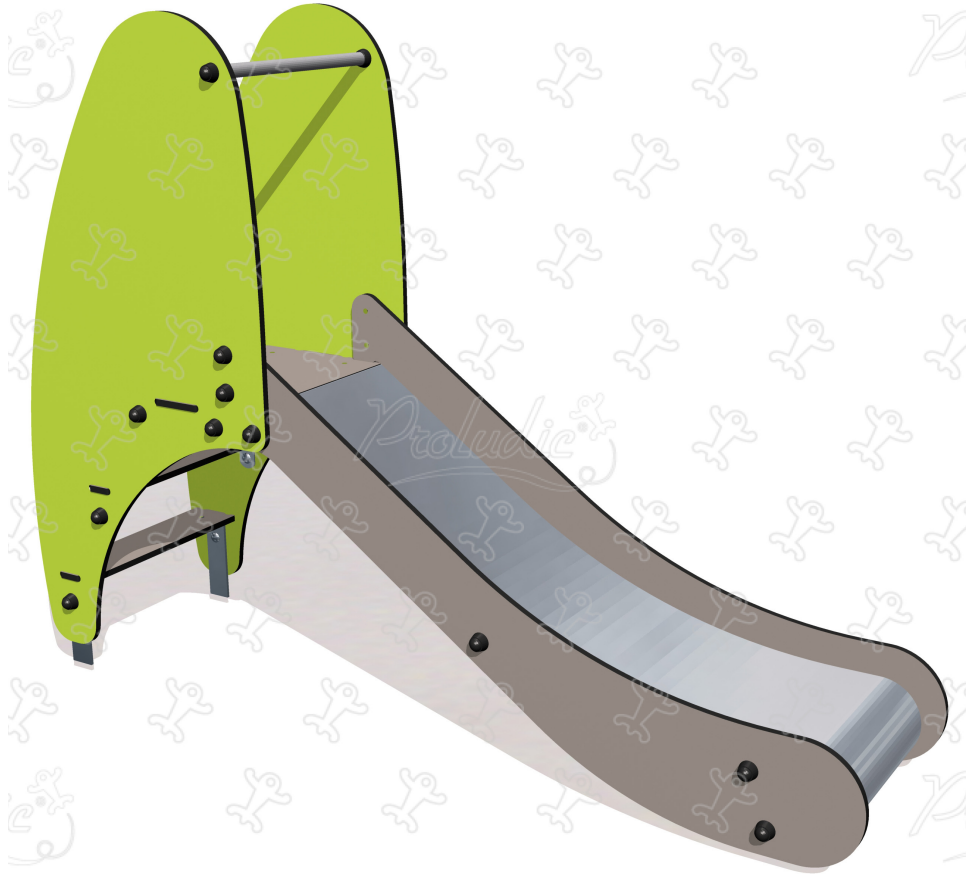
1m



1 = 1,75m
2 = 0,46m
3 = 1,3m



Physical inclusion
Sensory inclusion
Cognitive inclusion



Play value :

3

sliding



x1

meeting



x1

climbing

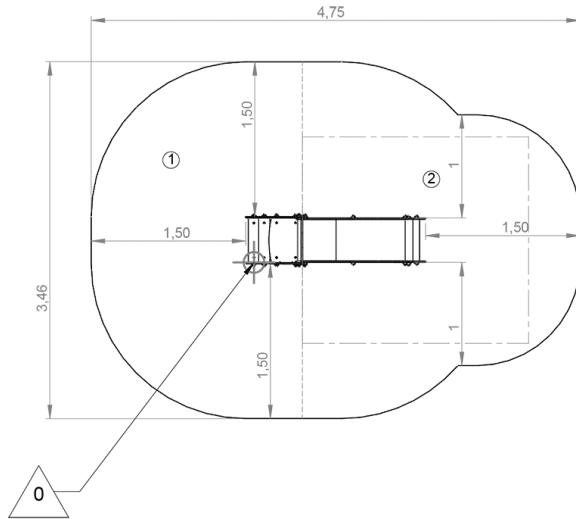




x1

Installation of equipment

IMPORTANT: It is essential to refer to the installation instructions for information on the size of the safety areas.

-  Impact area (minimum normative surface)
-  Free space



		
1	0,6m	6,5m ²
2	1m	7,5m ²



2



02h00



0.1m³



14m²



49kg



10kg

EN
1176