


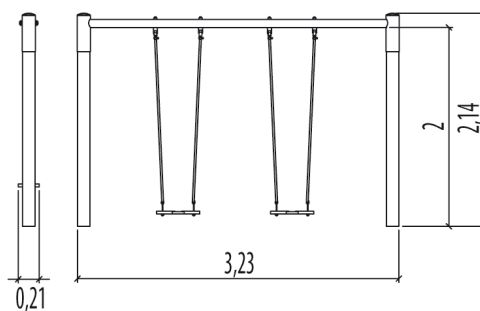
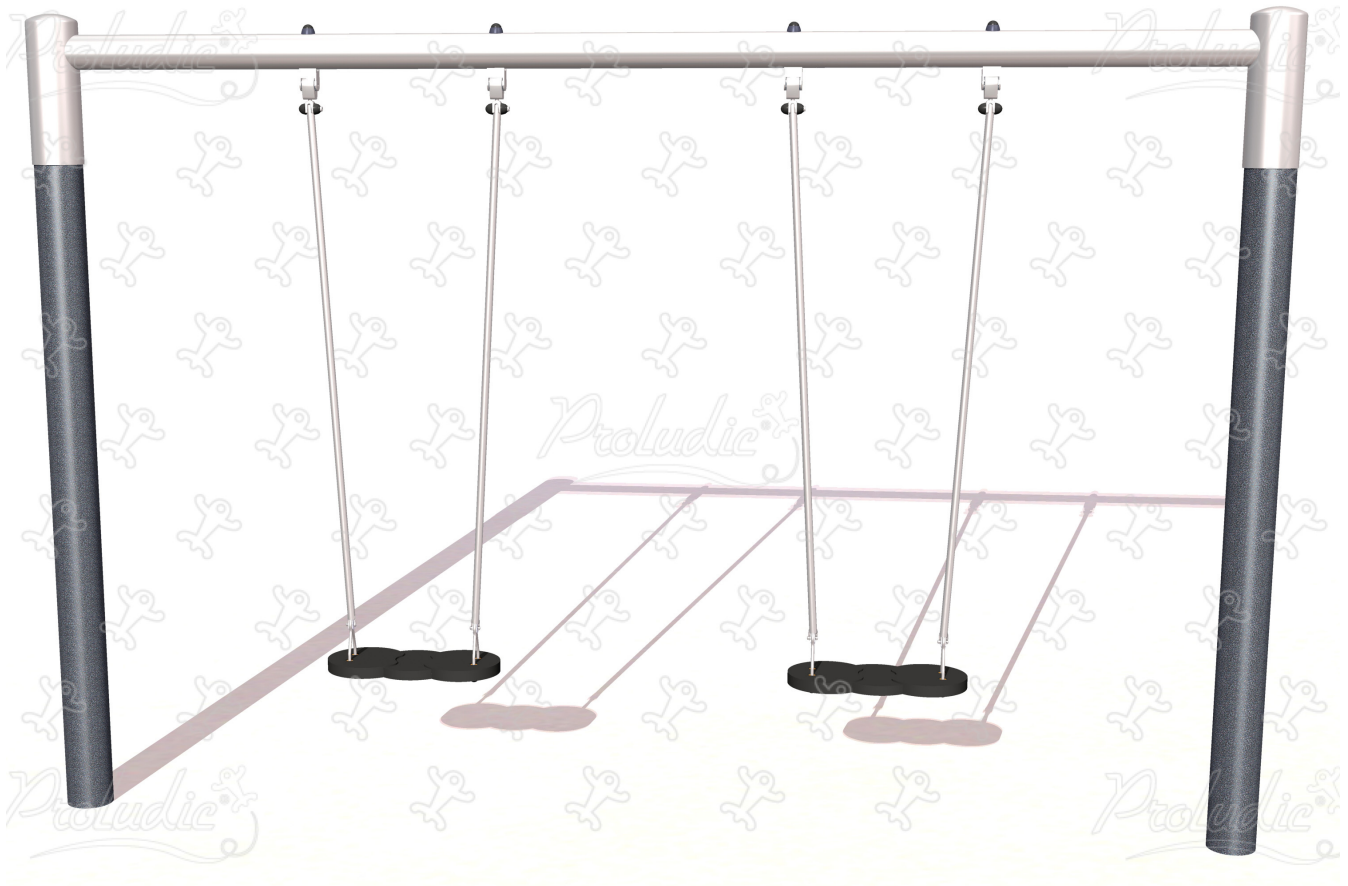
 **2+**
 **2**
 **1,2m**



 1 = 3,23m
 2 = 0,21m
 3 = 2,14m



Physical inclusion
Sensory inclusion
Cognitive inclusion



Play value : **2**

meeting



x1



swinging

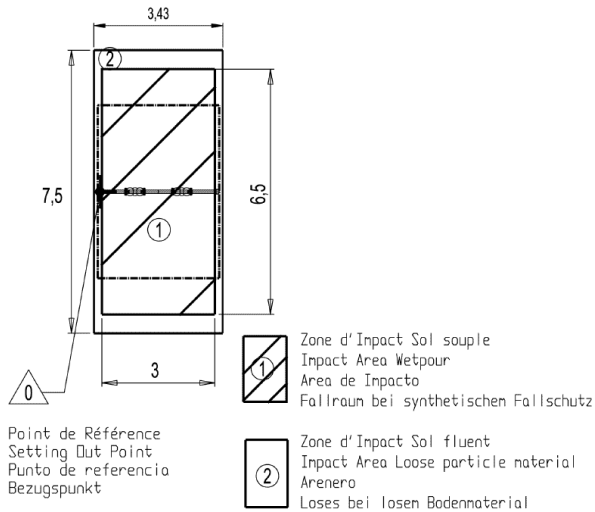




x1

Installation of equipment

IMPORTANT: It is essential to refer to the installation instructions for information on the size of the safety areas.

-  Impact area (minimum normative surface)
 Free space



		
1	1,2m	19,5m ²
2	1,2m	26m ²



2



01h30



0.5m³



19.5m²



84kg



30kg

EN
1176