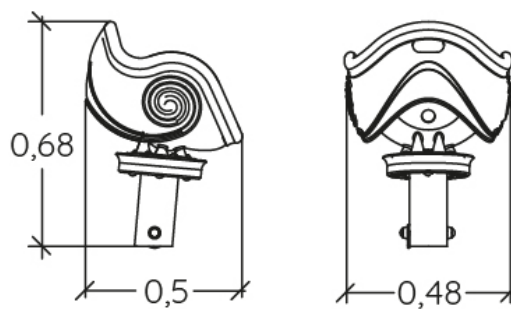


Physical inclusion  
Sensory inclusion  
Cognitive inclusion





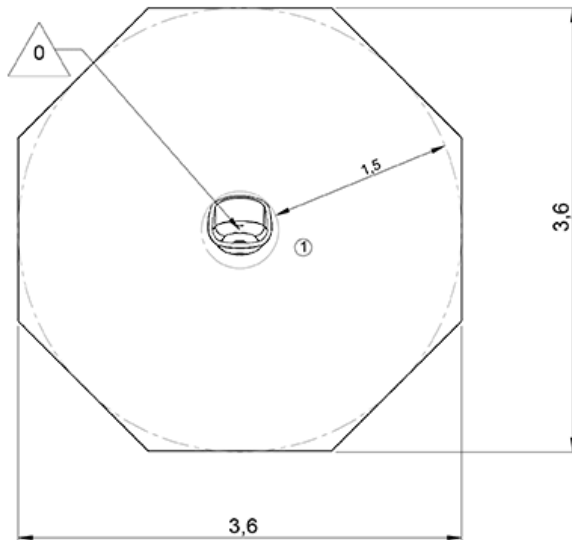
Play value : **4**



meeting	resting	balancing	rotating
x1	x1	x1	x1

## Installation of equipment

**IMPORTANT:** It is essential to refer to the installation instructions for information on the size of the safety areas.

-  Impact area (minimum normative surface)
-  Free space



		
1	0,6m	11m <sup>2</sup>



2



01h45



0.04m<sup>3</sup>



11m<sup>2</sup>



21kg



21kg

EN  
1176