


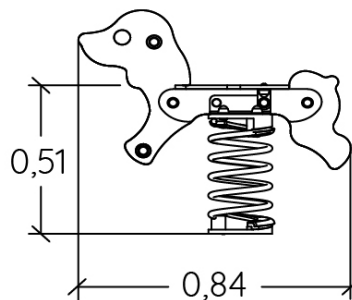
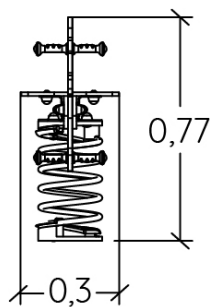
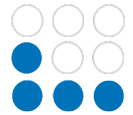


 **2+**
 **1**
 **0,6m**


 1 = 0,84m
 2 = 0,3m
 3 = 0,77m



Physical inclusion
Sensory inclusion
Cognitive inclusion



Play value : **3**

role play

balancing

Oscillate



x1



x1

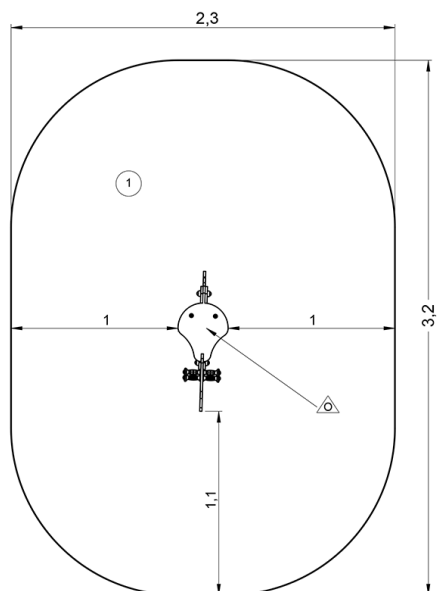




x1

Installation of equipment

IMPORTANT: It is essential to refer to the installation instructions for information on the size of the safety areas.

-  Impact area (minimum normative surface)
-  Free space



		
1	0,6m	6,6m ²



2



0m³



6.5m²



24kg



10kg

EN
1176