


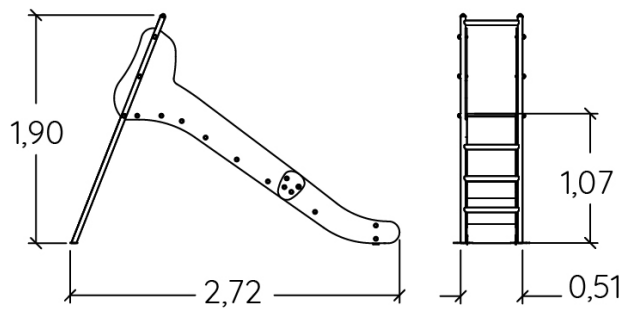
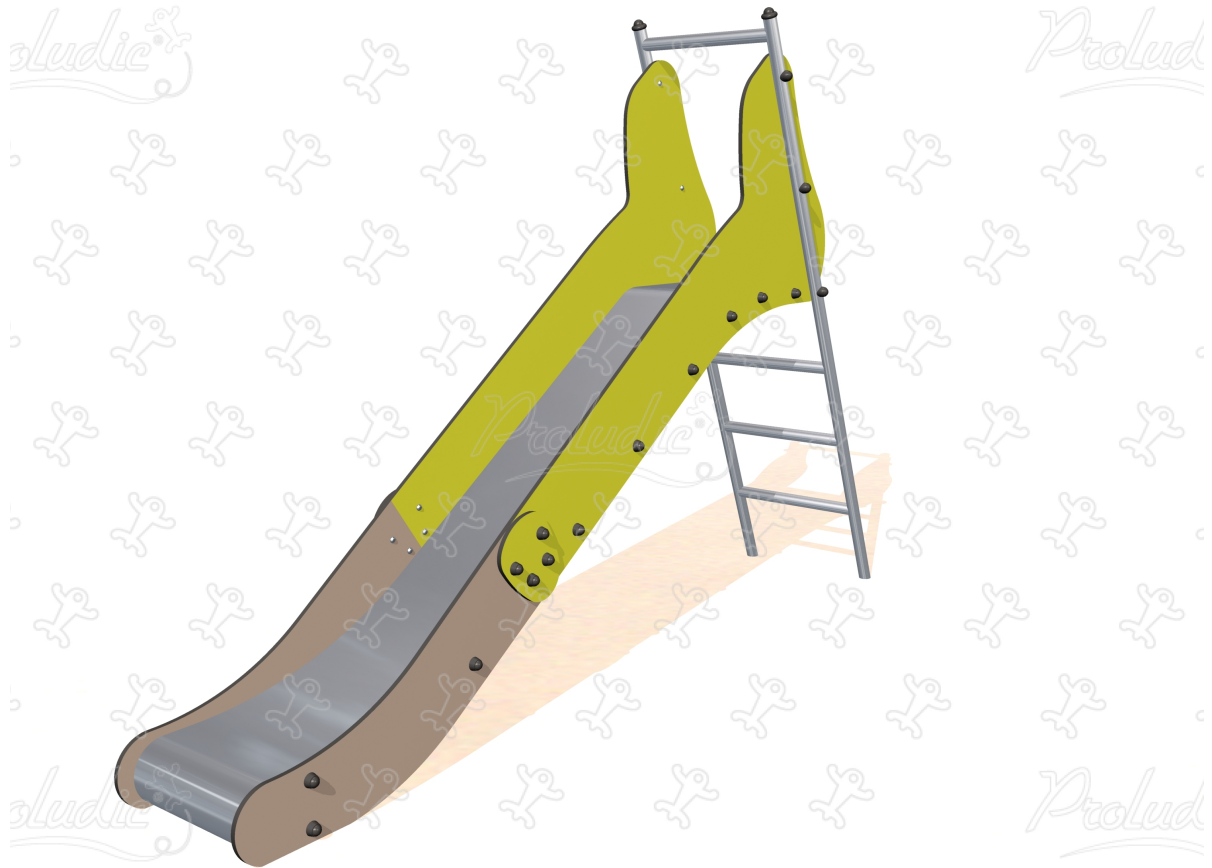
 **2+**  
 **5**  
 **1,07m**


  
 1 = 2,72m  
 2 = 0,51m  
 3 = 1,9m



Physical inclusion  
 Sensory inclusion  
 Cognitive inclusion



**Play value :** **3**

sliding



x1

meeting



x1

climbing

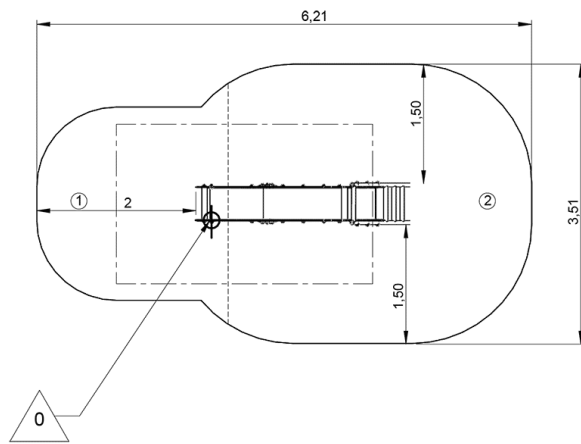




x1

## Installation of equipment

**IMPORTANT:** It is essential to refer to the installation instructions for information on the size of the safety areas.

-  Impact area (minimum normative surface)
-  Free space



		
1	1m	5,5m <sup>2</sup>
2	1,07m	12,5m <sup>2</sup>



2



01h30



0.1m<sup>3</sup>



18m<sup>2</sup>



68kg



18kg

EN  
1176