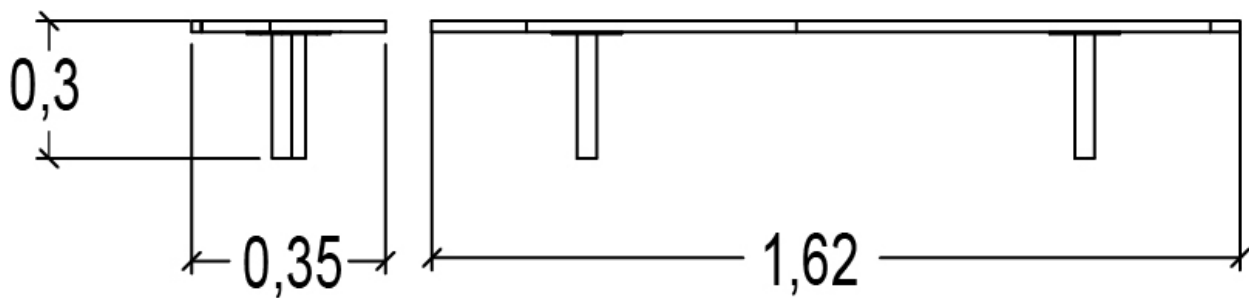
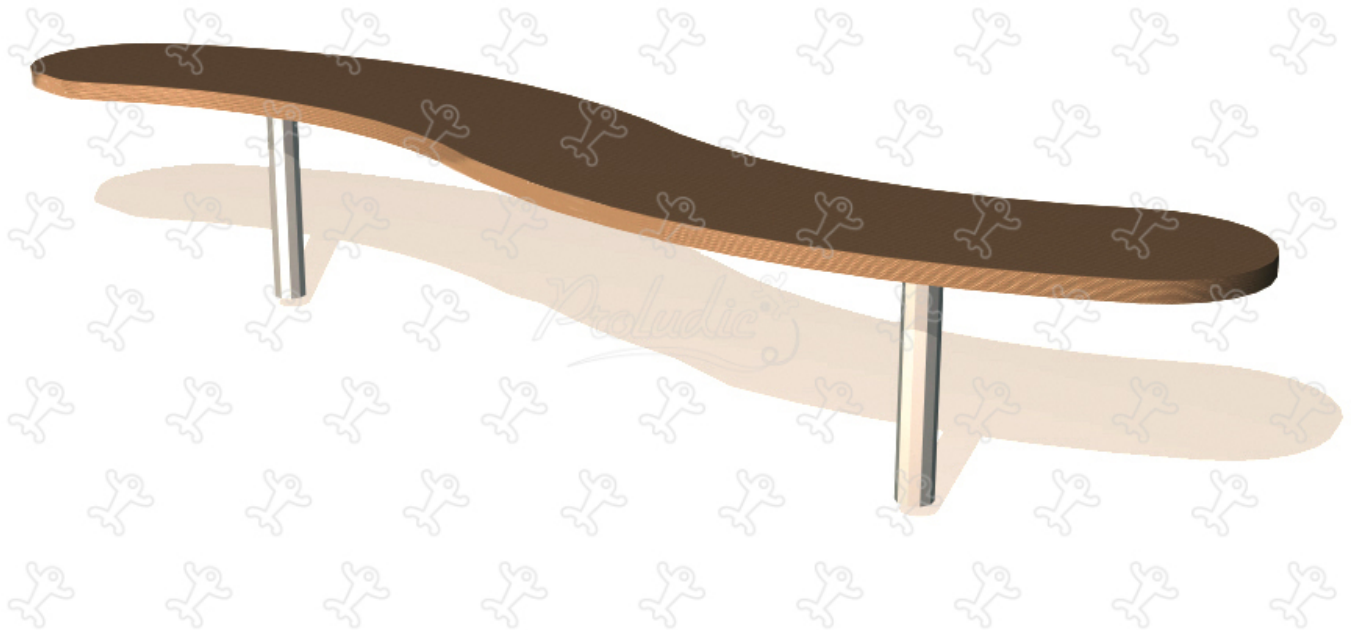


Physical inclusion  
Sensory inclusion  
Cognitive inclusion



Play value : 1

balancing

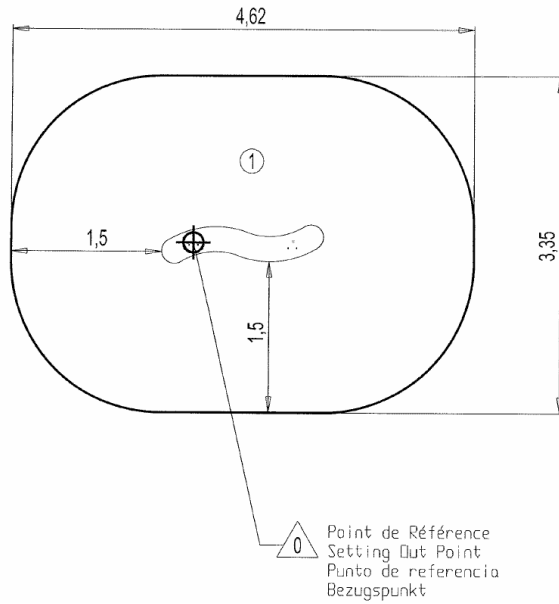




x1

## Installation of equipment

**IMPORTANT:** It is essential to refer to the installation instructions for information on the size of the safety areas.

-  Impact area (minimum normative surface)
-  Free space



		
1	0,30m	14m <sup>2</sup>



1

00h45

0.06m<sup>3</sup>

14m<sup>2</sup>

11kg

6kg

EN  
1176