


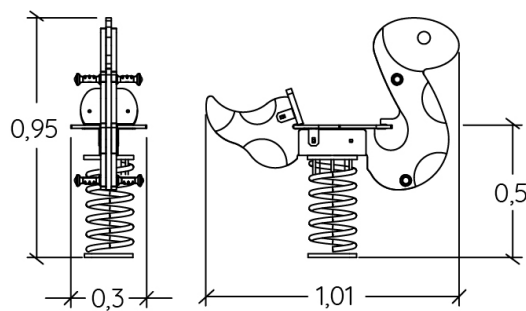
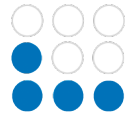
 2+  
 1  
 0,6m


 1 = 1,01m  
 2 = 0,3m  
 3 = 0,95m



Physical inclusion  
Sensory inclusion  
Cognitive inclusion



**Play value :** 3

role play

balancing

Oscillate



x1



x1

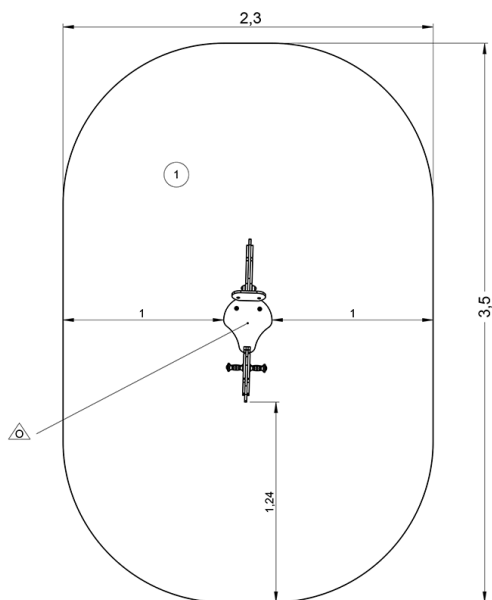




x1

## Installation of equipment

**IMPORTANT:** It is essential to refer to the installation instructions for information on the size of the safety areas.

-  Impact area (minimum normative surface)
-  Free space



		
1	0,6m	7m <sup>2</sup>



1

01h15

0m<sup>3</sup>

7m<sup>2</sup>

30kg

10kg

EN  
1176