



1-8



6



0m



1 = 1,22m  
2 = 1,2m  
3 = 0,53m



Physical inclusion  
Sensory inclusion  
Cognitive inclusion



**Play value :** **3**

role play



x1

meeting



x1

resting

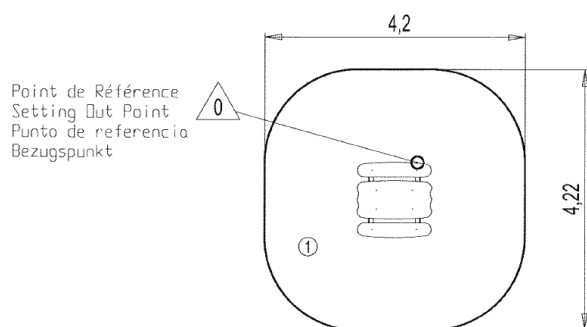




x1

## Installation of equipment

**IMPORTANT:** It is essential to refer to the installation instructions for information on the size of the safety areas.

-  Impact area (minimum normative surface)
-  Free space



		
1	0,00m	16m <sup>2</sup>



2



01h00



0.2m<sup>3</sup>



15.8m<sup>2</sup>



40kg



10kg

EN  
1176