


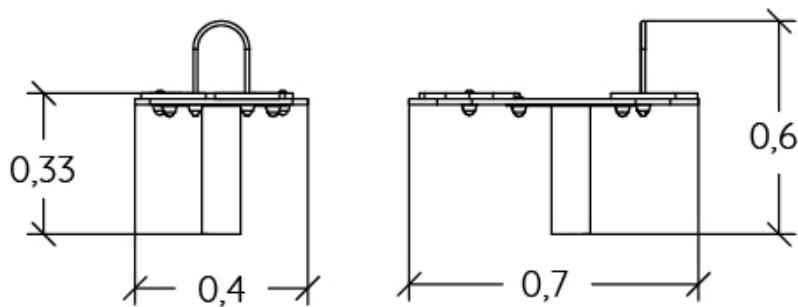
 1+    
  5    
  0m    
 
 1 = 0,7m  
 2 = 0,4m  
 3 = 0,6m







Physical inclusion  
Sensory inclusion  
Cognitive inclusion



**Play value :**

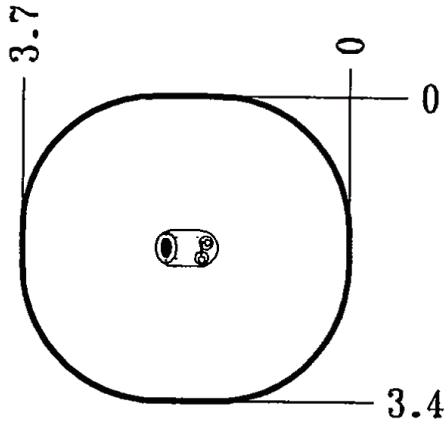
**6**



role play	meeting	handling	tactile stimulation
			
x1	x1	x2	x2

## Installation of equipment

**IMPORTANT:** It is essential to refer to the installation instructions for information on the size of the safety areas.

-  Impact area (minimum normative surface)
-  Free space



		
1	0m	11m <sup>2</sup>



1



00h30



0.05m<sup>3</sup>



11m<sup>2</sup>



15kg



10kg



EN  
1176