



2+



2



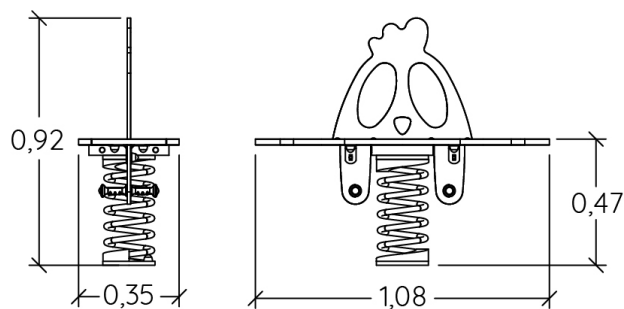
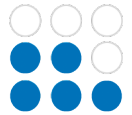
0,6m



1 = 1,08m
2 = 0,35m
3 = 0,92m



Physical inclusion
Sensory inclusion
Cognitive inclusion



Play value : **3**

role play



x1

balancing



x1

Oscillate

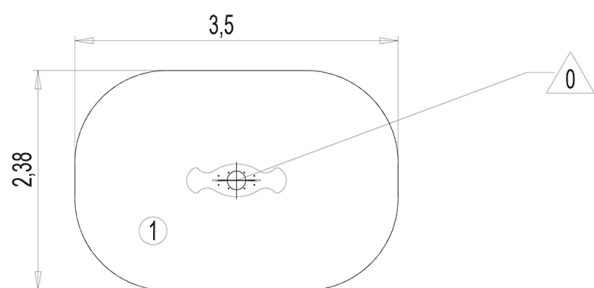




x1

Installation of equipment

IMPORTANT: It is essential to refer to the installation instructions for information on the size of the safety areas.

-  Impact area (minimum normative surface)
-  Free space



		
1	0,47m	7,5m ²



1



01h00



0m³



7.5m²



27kg



11kg

EN
1176