


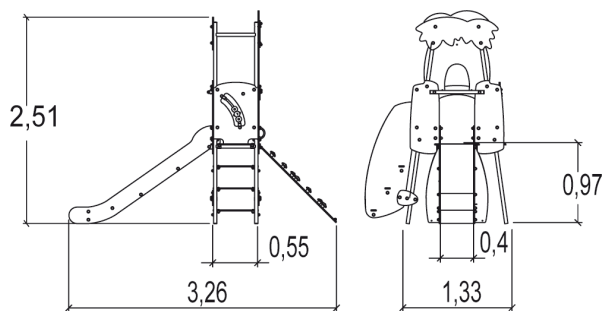
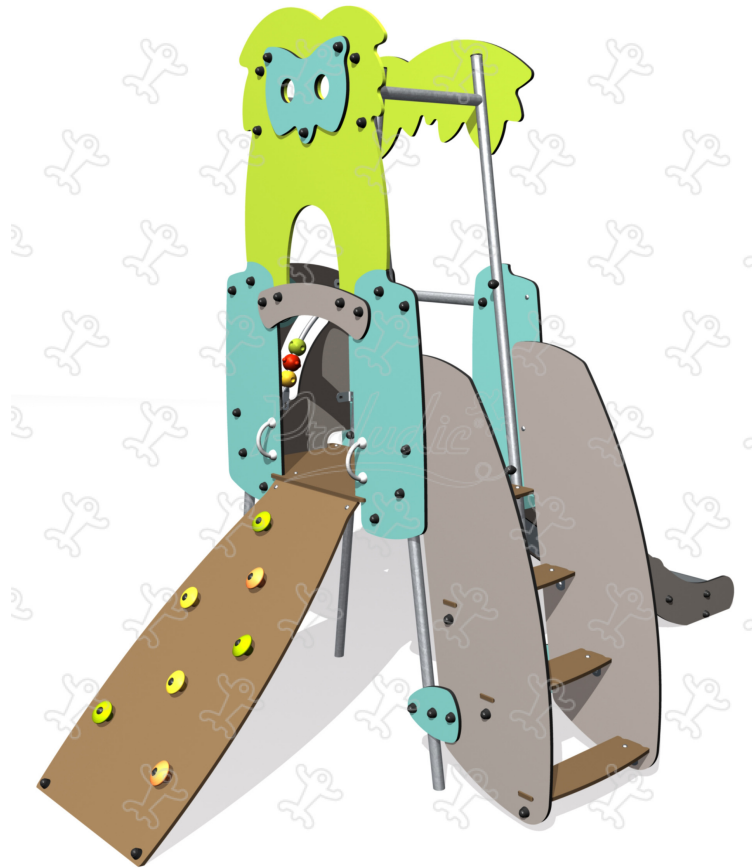
 **2+**
 **10**
 **1m**



 1 = 3,26m
 2 = 1,73m
 3 = 2,59m



Physical inclusion
Sensory inclusion
Cognitive inclusion



Play value : 8

climbing



x1

role play



x1

sliding



x1

meeting



x2

handling



x1

visual stimulation



x1

climbing

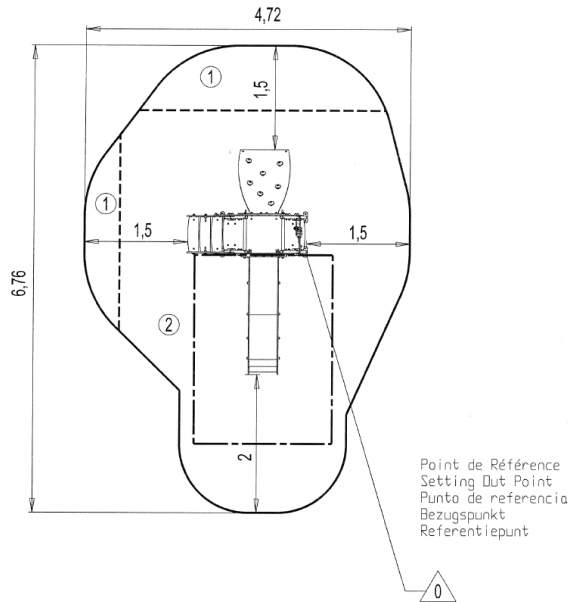




x1

Installation of equipment

IMPORTANT: It is essential to refer to the installation instructions for information on the size of the safety areas.

-  Impact area (minimum normative surface)
-  Free space



		
1	0,6m	3,5m ²
2	1m	20m ²



2



03h00



0m³



24m²



168kg



14kg

EN
1176