



2+



12



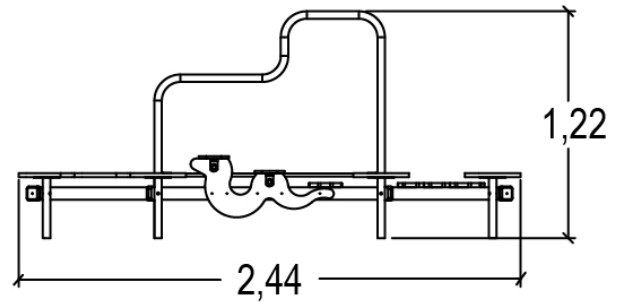
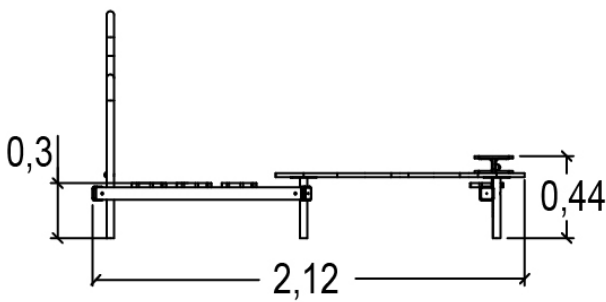
0,45m



1 = 2,44m
2 = 2,12m
3 = 1,22m



Physical inclusion
Sensory inclusion
Cognitive inclusion



Play value : **2**

meeting



x1

balancing

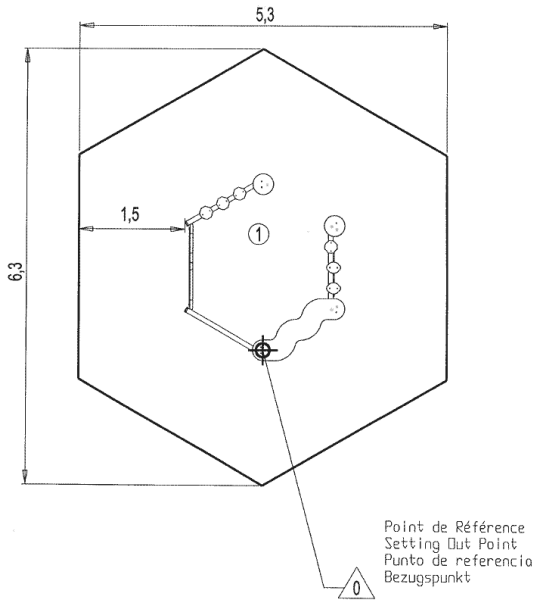




x1

Installation of equipment

IMPORTANT: It is essential to refer to the installation instructions for information on the size of the safety areas.

-  Impact area (minimum normative surface)
-  Free space



		
1	0,45m	25m ²



2



02h00



0.2m³



26.5m²



45kg



9kg

EN
1176