


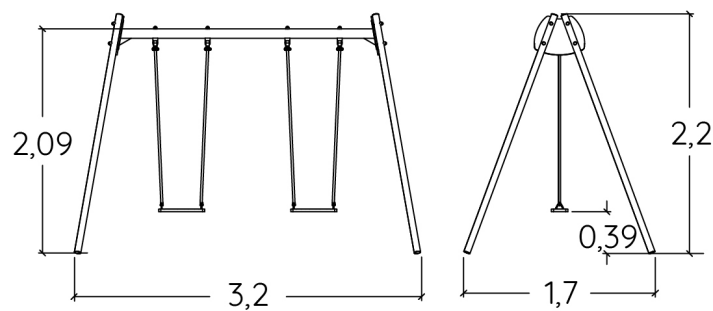
 **2+**
 **2**
 **1,2m**


 1 = 3,2m
 2 = 1,7m
 3 = 2,2m



Physical inclusion
Sensory inclusion
Cognitive inclusion



Play value : **2**

meeting



x1



swinging

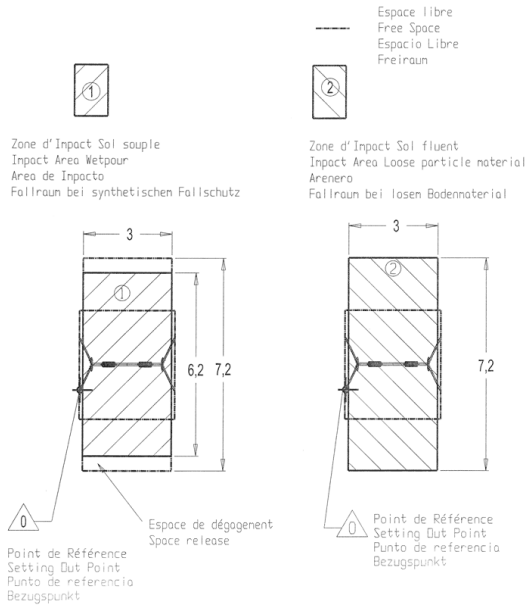




x1

Installation of equipment

IMPORTANT: It is essential to refer to the installation instructions for information on the size of the safety areas.

-  Impact area (minimum normative surface)
 Free space

1	1,20m	19m ²
2	1,20m	22m ²



2



01h50



0.11m³



19m²



96kg



30kg

EN
1176