



2+



5



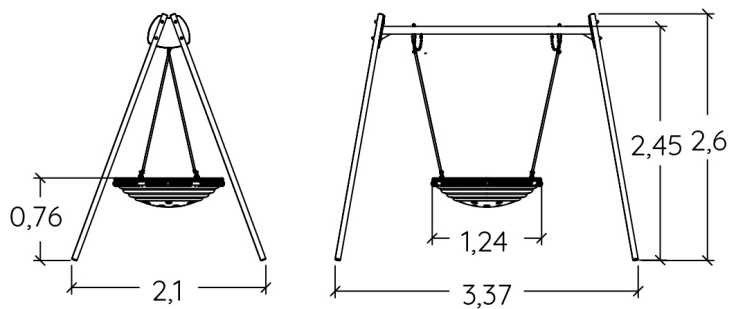
1,55m



1 = 3,37m  
2 = 2,1m  
3 = 2,6m



Physical inclusion  
Sensory inclusion  
Cognitive inclusion



Play value :

3

meeting



x1

resting



x1



swinging

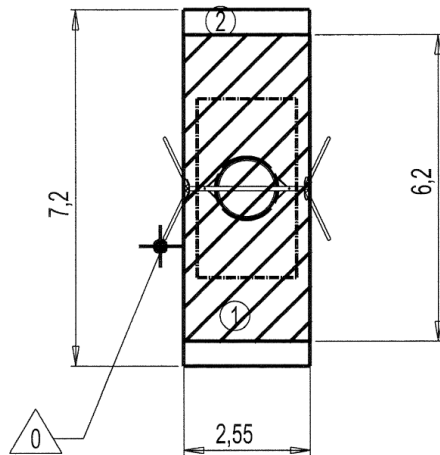


x1

## Installation of equipment

**IMPORTANT:** It is essential to refer to the installation instructions for information on the size of the safety areas.

-  Impact area (minimum normative surface)
-  Free space



Point de Référence  
Setting Out Point  
Punto de referencia  
Bezugspunkt  
Referentiepunt



1	1,55m	16m <sup>2</sup>
2	1,55m	18,5m <sup>2</sup>



2



04h00



0.26m<sup>3</sup>



16m<sup>2</sup>



134kg



43kg

EN  
1176