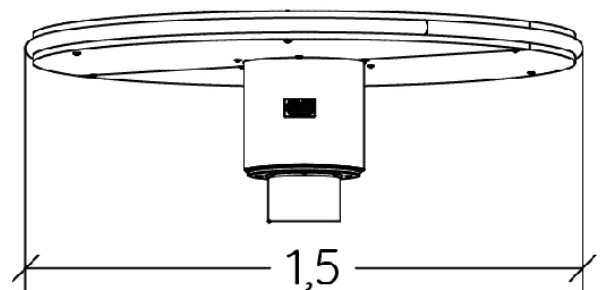
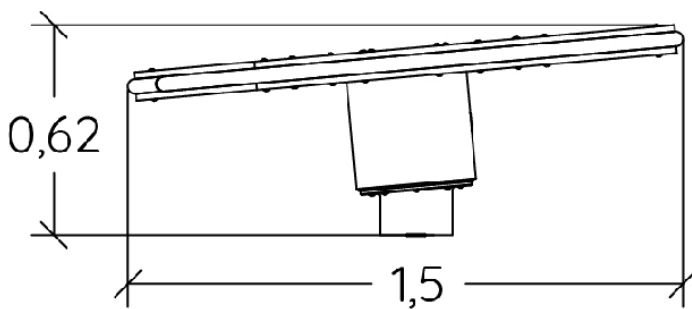


Physical inclusion  
Sensory inclusion  
Cognitive inclusion



**Play value :**      **3**

meeting

balancing

rotating



x1

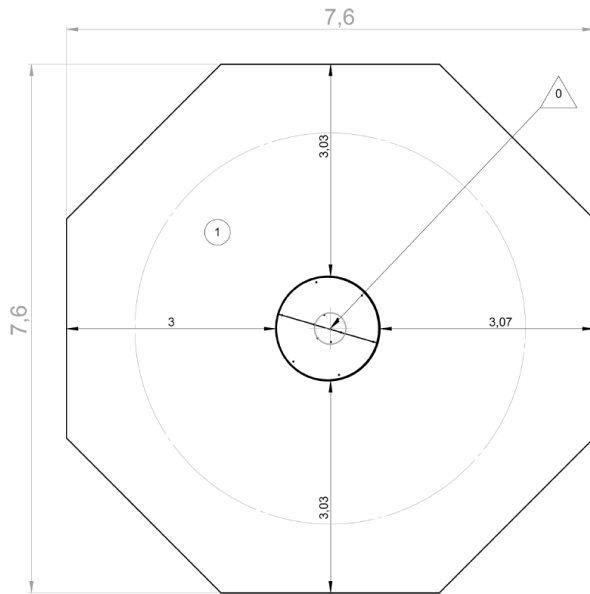
x1



x1

## Installation of equipment

**IMPORTANT:** It is essential to refer to the installation instructions for information on the size of the safety areas.

-  Impact area (minimum normative surface)
-  Free space



		
1	1m	48m <sup>2</sup>



2



01h45



0.11m<sup>3</sup>



48m<sup>2</sup>



156kg



32kg

EN  
1176