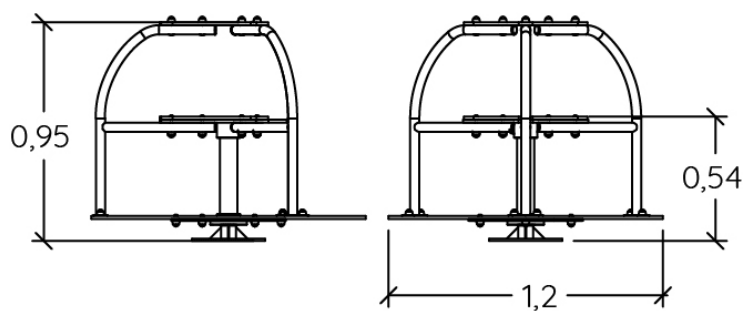


Physical inclusion  
Sensory inclusion  
Cognitive inclusion



**Play value :** **3**

meeting



x1

balancing



x1



rotating

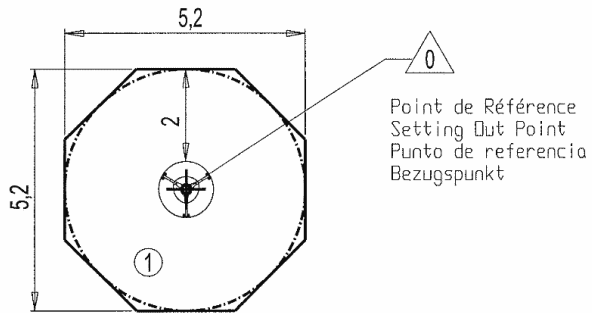




x1

## Installation of equipment

**IMPORTANT:** It is essential to refer to the installation instructions for information on the size of the safety areas.

-  Impact area (minimum normative surface)
-  Free space



		
1	1m	23m <sup>2</sup>



2



01h45



0.15m<sup>3</sup>



23m<sup>2</sup>



93kg



82kg

EN  
1176