



DCIPHER™ MONOLITH

Our **dCipher™** monoliths combine contemporary design with practical versatility, providing a sleek, durable solution for maps, information, and wayfinding. Interchangeable directional slats guide visitors to key destinations and can be updated as sites evolve.

Ideal for branding, they display logos and contact details with clarity. Their modular construction allows components to be replaced if damaged, ensuring long-lasting, low-maintenance performance while keeping information current and presentation stylish and effective in any public or heritage environment.

Product features

- Stainless steel construction
- Single or double sided
- Tamper resistant fixings
- Removable graphic panel
- Powdercoat finish to standard colour
- Standard sizes A1, 594mm sq. and A2
- 1 year manufacturer's warranty

Specification applies to the standard product. Our range of options usually allow us to accommodate any differences you may require. Please contact us and we will be happy to support you in developing this specification to meet your requirements.

Option delete/ update as appropriate

Manufacturer: Fitzpatrick Woolmer,
Unit 7 Lakeside Park, Neptune Close,
Rochester, Kent, ME2 4LT.
Tel: 01634 711 771
Email: info@fwdp.co.uk

Metal: Stainless steel

Grade: 304

Finish: Powdercoat to BS EN 12206:2021 Part 1

Colour: RAL 9005 Black

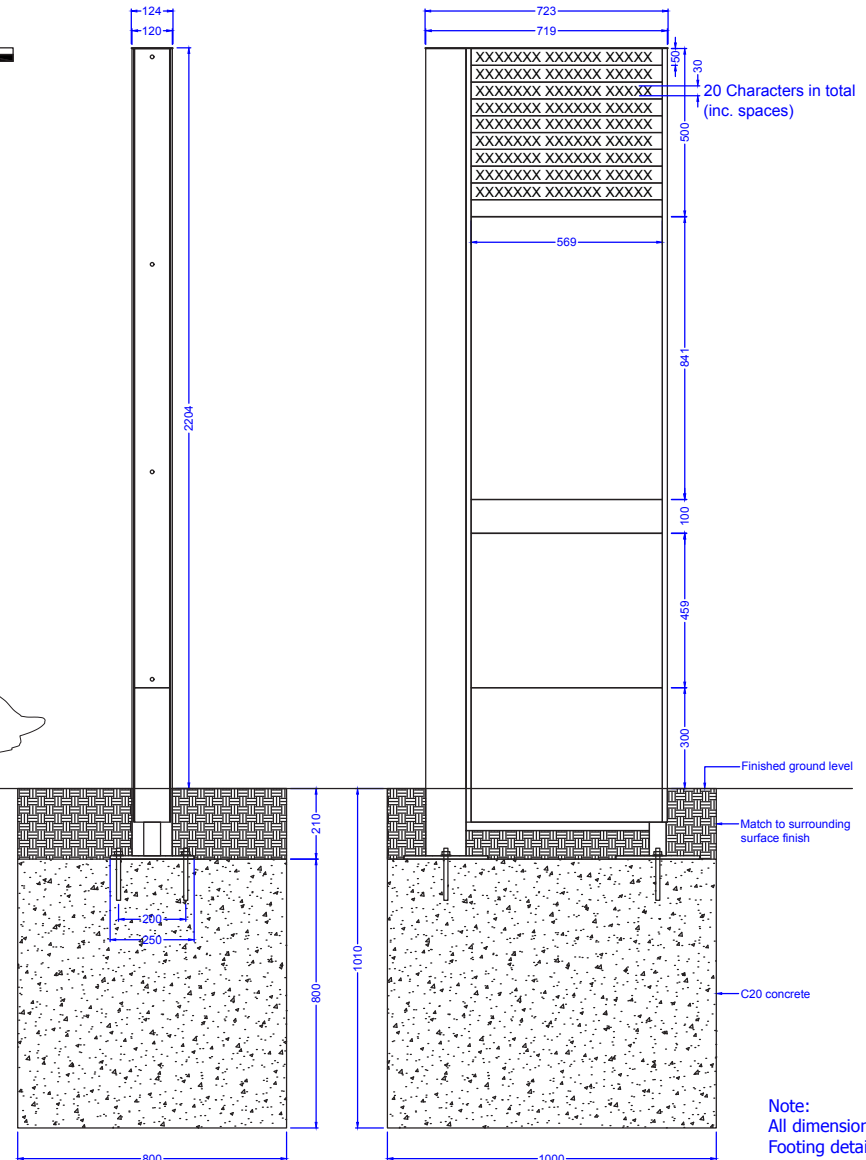
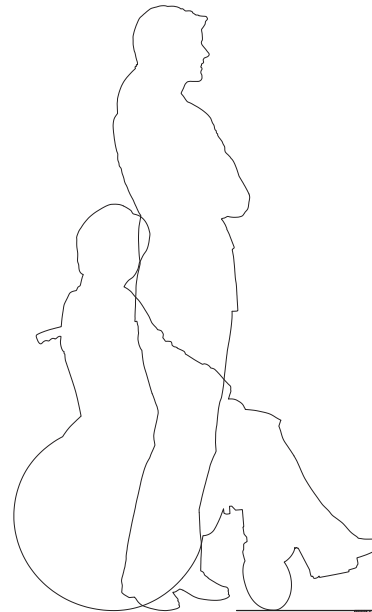
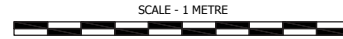
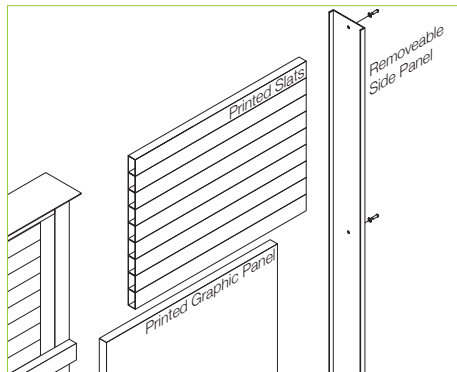
Fixings: Stainless steel

Type: Security

Weight: 120kg

Installation: Posts extend 200mm below ground level

Guarantee: One year manufacturer's warranty



Note:
All dimensions are indicative only.
Footing details are subject to
soil conditions and structural
engineers recommendations.

Specification applies to the standard product. Our range of options usually allow us to accommodate any differences you may require. Please contact us and we will be happy to support you in developing this specification to meet your requirements.

Option delete/ update as appropriate

Manufacturer: Fitzpatrick Woolmer,
Unit 7 Lakeside Park, Neptune Close,
Rochester, Kent, ME2 4LT.
Tel: 01634 711 771
Email: info@fwdp.co.uk

Metal: Stainless steel

Grade: 304

Finish: Powdercoat to BS EN 12206:2021 Part 1

Colour: RAL 9005 Black

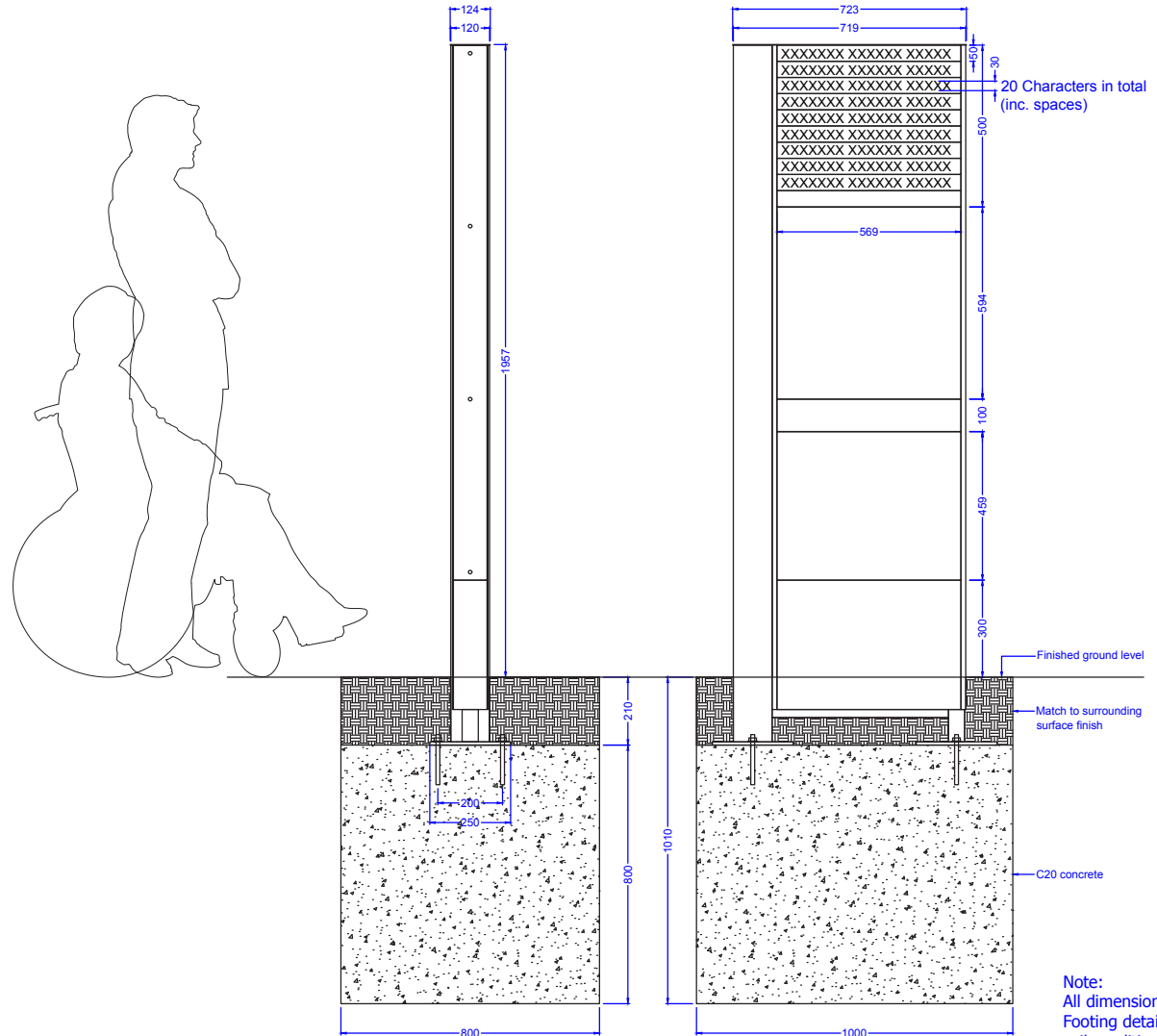
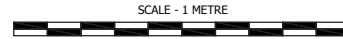
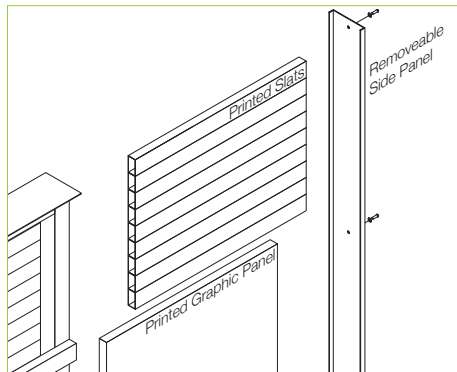
Fixings: Stainless steel

Type: Security

Weight: 110kg

Installation: Posts extend 200mm below ground level

Guarantee: One year manufacturer's warranty



Note:
All dimensions are indicative only. Footing details are subject to soil conditions and structural engineers recommendations.

