


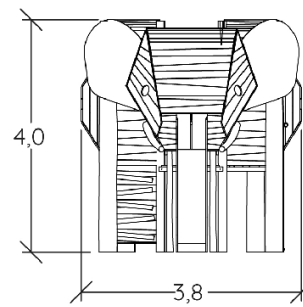
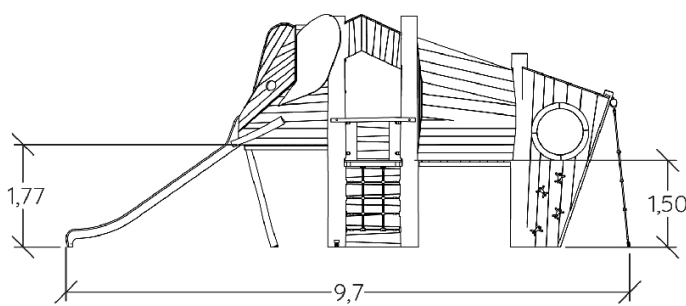
 **3+**
 **48**
 **1,77m**



 1 = 9,86m
 2 = 3,8m
 3 = 4m










Physical inclusion
Sensory inclusion
Cognitive inclusion



Play value :

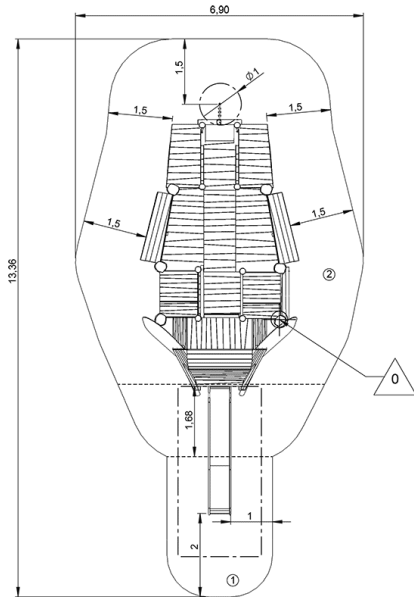
12

climbing	role play	sliding	hiding	taking shelter	visual stimulation	climbing
						
x2	x1	x1	x1	x2	x2	x3

Installation of equipment

IMPORTANT: It is essential to refer to the installation instructions for information on the size of the safety areas.

- Impact area (minimum normative surface)
- Free space



1	1m	9m ²
2	1,5m	35,5m ²
3	1,62m	13,5m ²
4	1,77m	7,5m ²



2



20h00



0.12m³



65.5m²



3213kg



3090kg

EN
1176