


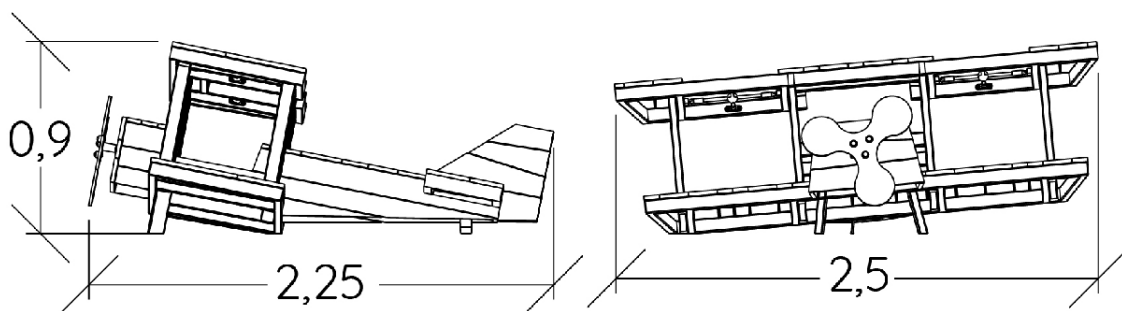
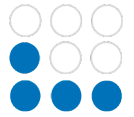
 **2+**  
 **6**  
 **1m**


 1 = 2,5m  
 2 = 2,25m  
 3 = 0,9m



Physical inclusion  
Sensory inclusion  
Cognitive inclusion



**Play value :**

**6**

role play

meeting

resting

handling

crawling

climbing



x1



x1



x1



x1



x1

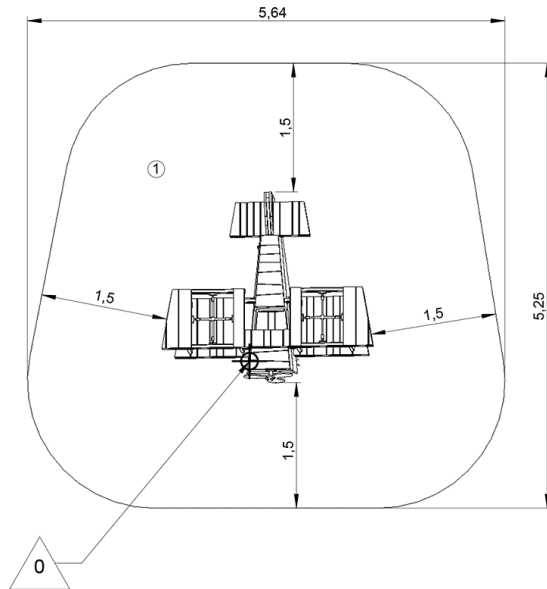




x1

## Installation of equipment

**IMPORTANT:** It is essential to refer to the installation instructions for information on the size of the safety areas.

-  Impact area (minimum normative surface)
-  Free space



		
1	1m	26m <sup>2</sup>



2



01h00



0.1m<sup>3</sup>



26m<sup>2</sup>



148kg



135kg



EN  
1176