



2+



70



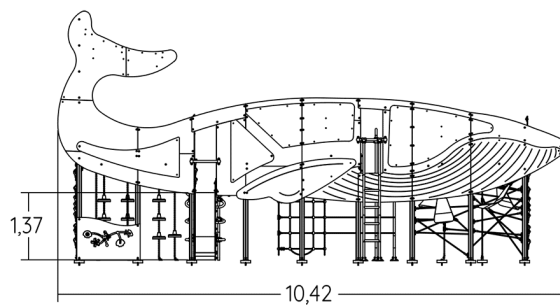
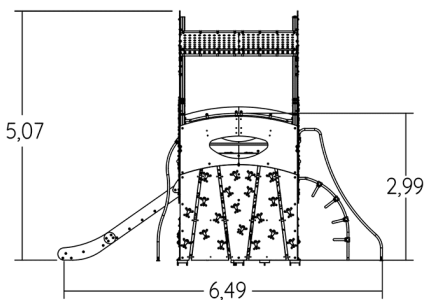
2,2m



1 = 10,42m
2 = 6,63m
3 = 5,07m



Physical inclusion
Sensory inclusion
Cognitive inclusion



Play value : **59**

climbing



x2

role play



x5

sliding



x2

meeting



x7

resting



x12

handling



x2

balancing



x2

thinking



x3

tactile stimulation



x3

visual stimulation



x2

climbing



x13



getting across

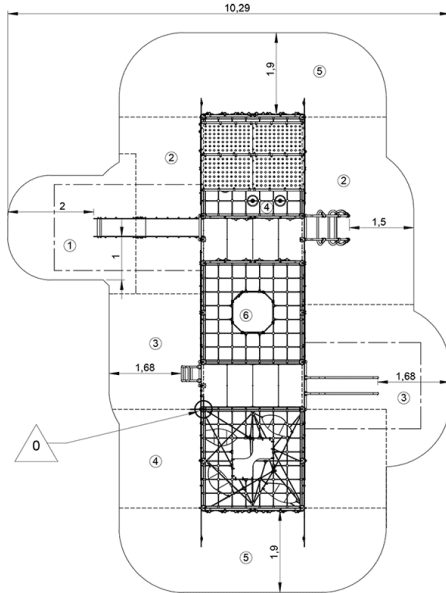


x6

Installation of equipment

IMPORTANT: It is essential to refer to the installation instructions for information on the size of the safety areas.

-  Impact area (minimum normative surface)
-  Free space



1	1m	11,5m ²
2	1,37m	17,5m ²
3	1,77m	15,5m ²
4	2m	19,5m ²
5	2,1m	22,5m ²
6	2,2m	10,5m ²



3



99h00



1.1m³



97m²



2485kg



33kg

EN
1176