



3+



55



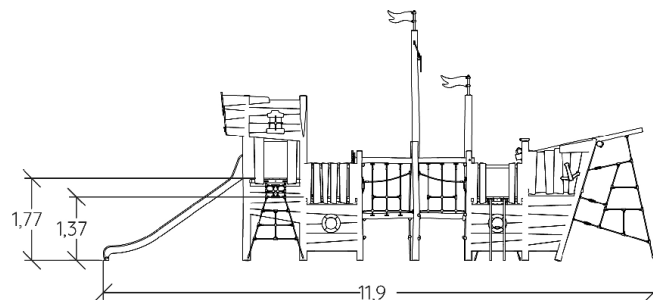
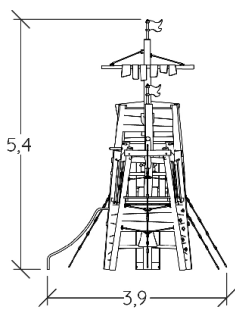
2,9m



1 = 11,9m
2 = 3,9m
3 = 5,4m



Physical inclusion
Sensory inclusion
Cognitive inclusion



Play value : **32**

climbing



x1

role play



x1

sliding



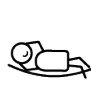
x2

meeting



x1

resting



x1

handling



x2

swinging



x1

hiding



x1

balancing



x6

taking shelter



x1

tactile stimulation



x2

visual stimulation



x2

climbing



x8

getting across

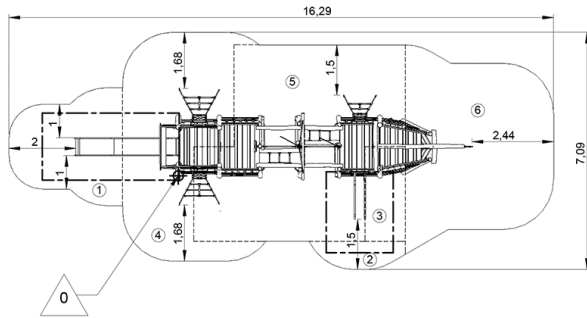


x3

Installation of equipment

IMPORTANT: It is essential to refer to the installation instructions for information on the size of the safety areas.

- Impact area (minimum normative surface)
- Free space



1	1m	9,5m ²
2	1,37m	2m ²
3	1,57m	3,5m ²
4	1,77m	19m ²
5	2,2m	30m ²
6	2,9m	22m ²



4

28h00

0.65m³

86m²

3256kg

1495kg



EN
1176