



3+



15



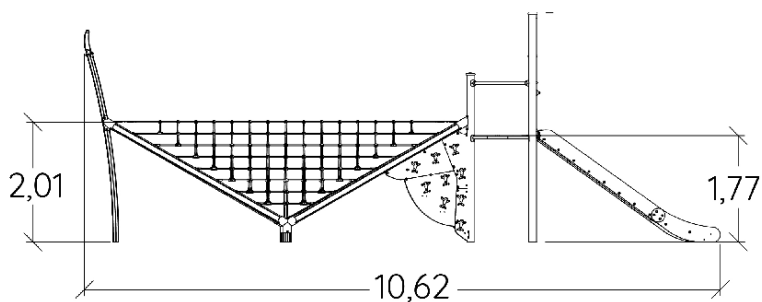
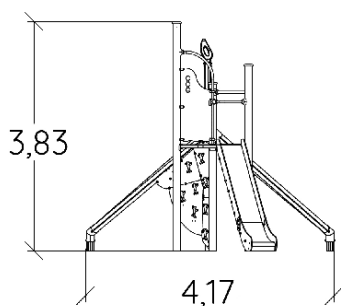
2m



1 = 10,62m
2 = 4,17m
3 = 3,83m



Physical inclusion
Sensory inclusion
Cognitive inclusion



Play value :

6

climbing



x1

sliding



x1

meeting



x1

climbing



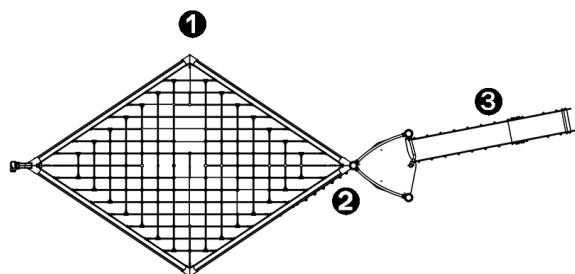
x1

getting across



x2



Components

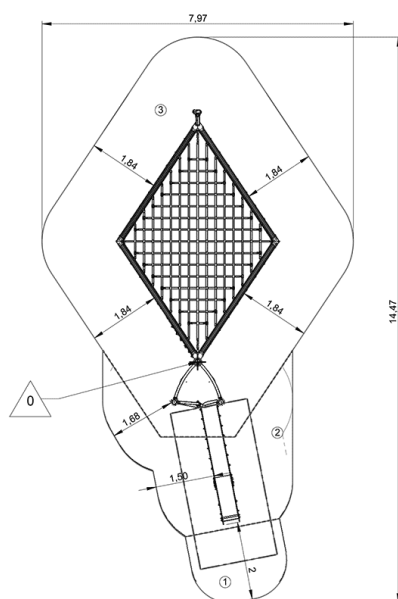


- ① Net
- ② Climbing wall
- ③ Tob 1.77

Installation of equipment

IMPORTANT: It is essential to refer to the installation instructions for information on the size of the safety areas.

-  Impact area (minimum normative surface)
-  Free space



1	1m	4,5m ²
2	1,77m	12m ²
3	2m	52,5m ²



2



11h00



0.8m³



69m²



491kg



37kg

EN
1176