



3+



30



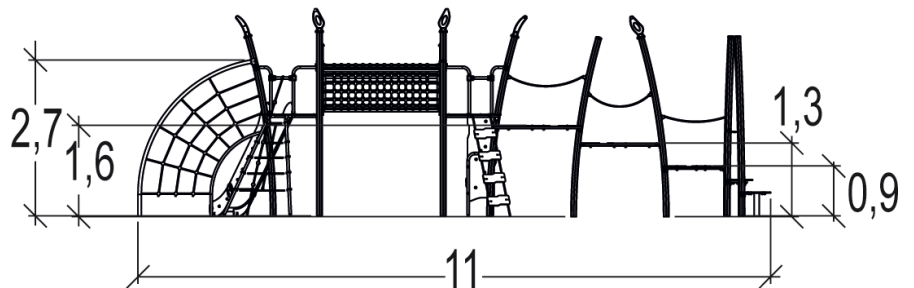
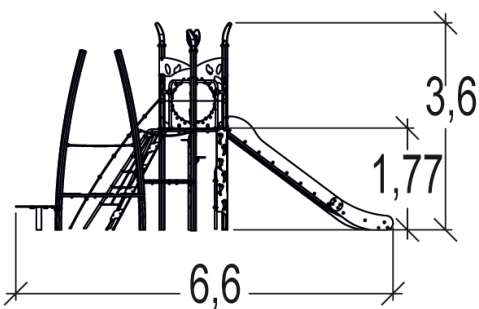
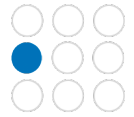
2,7m



1 = 10,63m
2 = 6,71m
3 = 3,6m



Physical inclusion
Sensory inclusion
Cognitive inclusion



Play value : **20**

climbing



x1

sliding



x1

meeting



x2

resting



x1

crawling



x3

balancing



x3

climbing



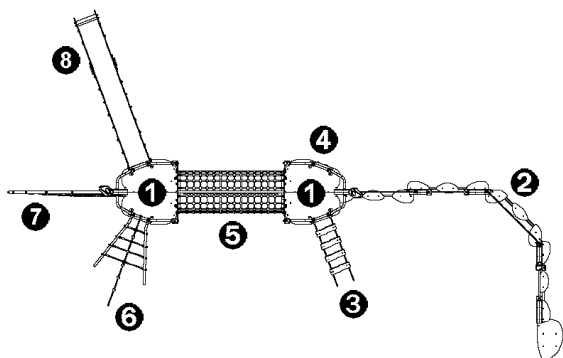
x4

getting across



x5



Components

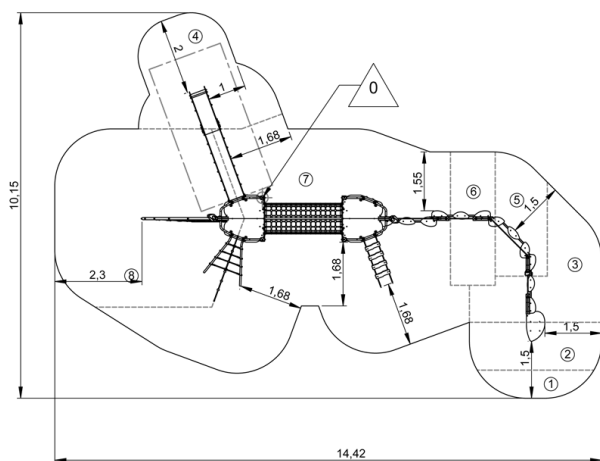


- ① Platform with no roof, Ht: 1,77m
- ② Pathway
- ③ Net ladder
- ④ Climbing wall
- ⑤ Net tunnel
- ⑥ Tilted net Ht: 1.77m
- ⑦ Leaf net
- ⑧ Slide Ht : 1.77m

Installation of equipment

IMPORTANT: It is essential to refer to the installation instructions for information on the size of the safety areas.

-  Impact area (minimum normative surface)
-  Free space



1	0,6m	2m ²
2	,66m	5m ²
3	,88m	6,5m ²
4	1m	8,5m ²
5	1,18m	4,5m ²
6	1,57m	9,5m ²
7	1,77m	36m ²
8	2,7m	20,5m ²



2



20h00



0.6m³



93.5m²



659kg



43kg

EN
1176