

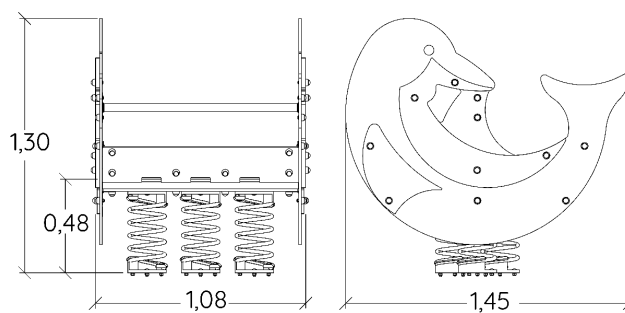
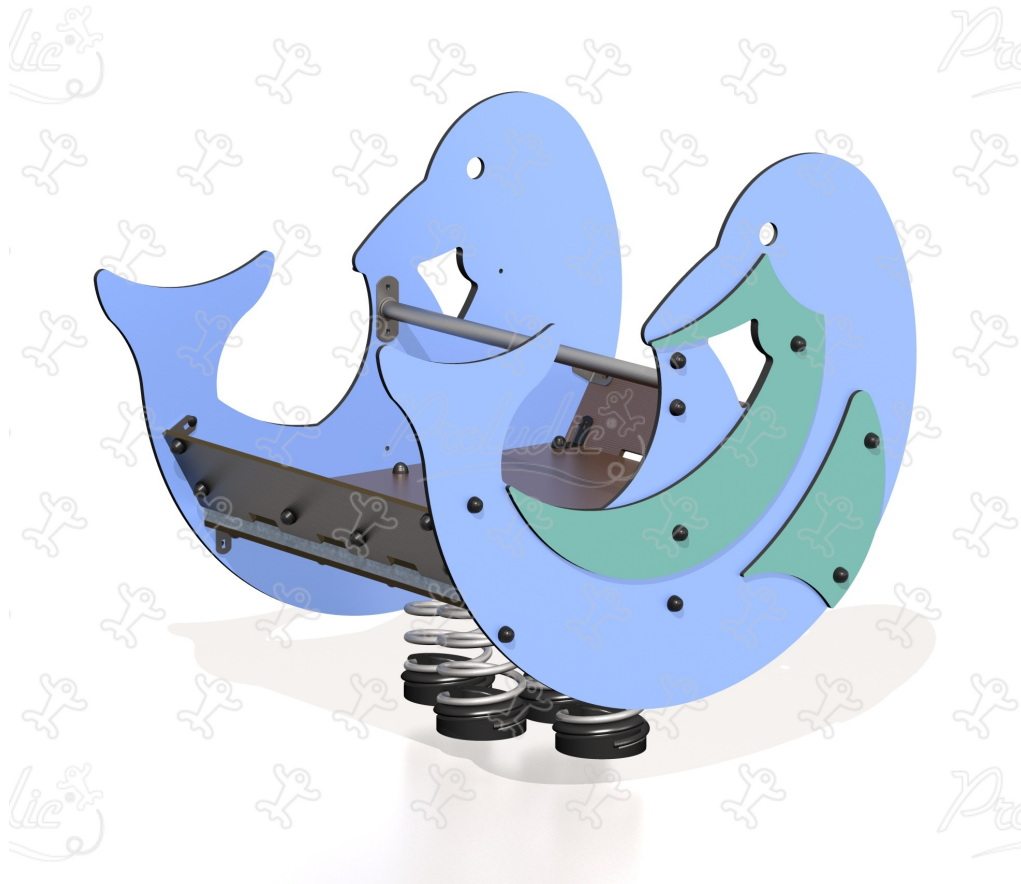
 **2+**
 **6**
 **0,6m**






 1 = 1,45m
 2 = 1,08m
 3 = 1,3m



Physical inclusion
Sensory inclusion
Cognitive inclusion



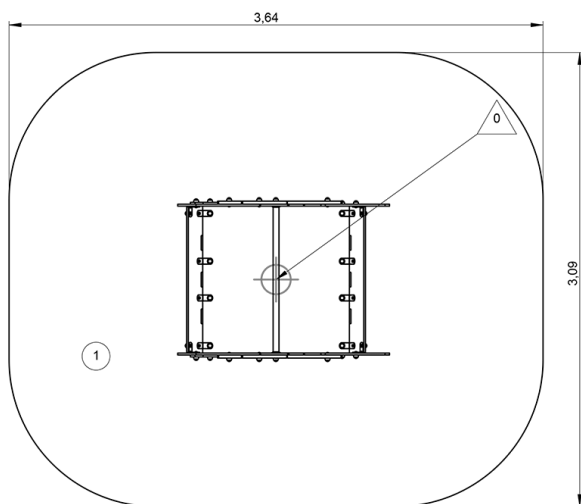
Play value : **4**



- | | | | |
|---|---|---|---|
| role play | meeting | balancing | Oscillate |
|  |  |  |  |
| x1 | x1 | x1 | x1 |

Installation of equipment

IMPORTANT: It is essential to refer to the installation instructions for information on the size of the safety areas.

-  Impact area (minimum normative surface)
-  Free space



		
1	0,6m	10,5m ²



2



03h45



0m³



10.5m²



161kg



107kg

EN
1176