


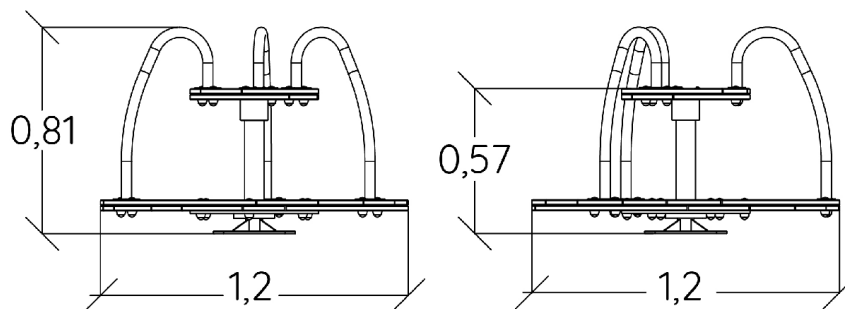
 **3+**  
 **6**  
 **1m**


 1 = 1,2m  
 2 = 1,2m  
 3 = 0,81m



Physical inclusion  
Sensory inclusion  
Cognitive inclusion



**Play value :** **3**

meeting

balancing

rotating



x1





x1

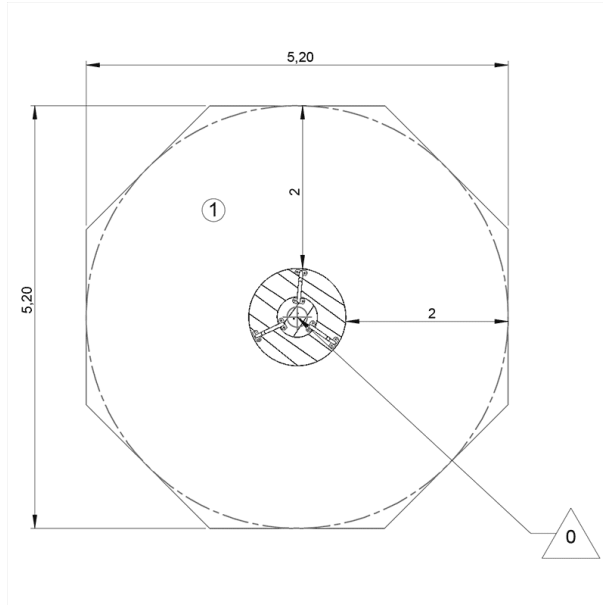




x1

## Installation of equipment

**IMPORTANT:** It is essential to refer to the installation instructions for information on the size of the safety areas.

-  Impact area (minimum normative surface)
-  Free space



		
1	1,00m	22,5m <sup>2</sup>



2



02h00



0.15m<sup>3</sup>



22.5m<sup>2</sup>



127kg



37kg

EN  
1176