


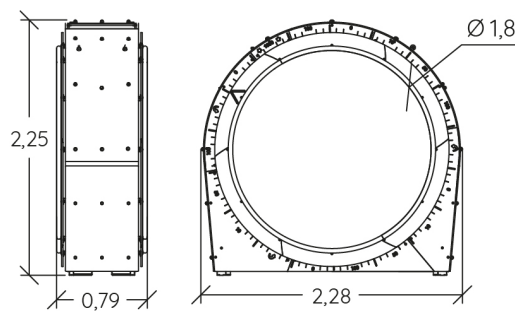
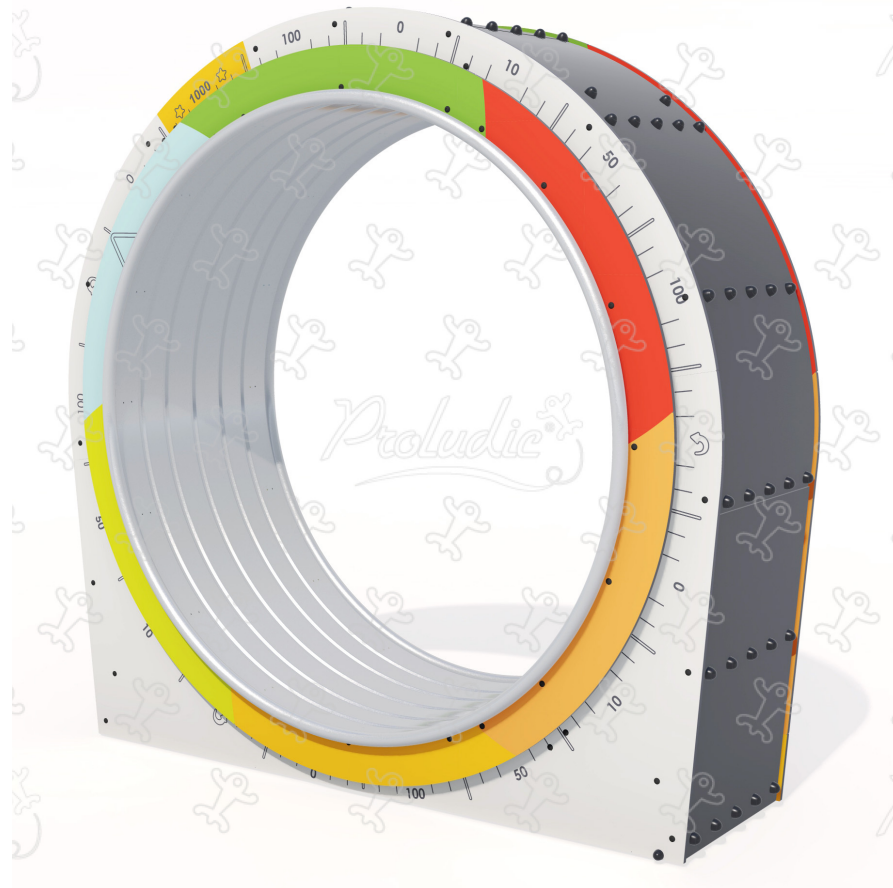
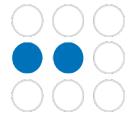
 6+
  3
  0,7m


 1 = 2,28m
 2 = 0,79m
 3 = 2,25m



Physical inclusion
 Sensory inclusion
 Cognitive inclusion



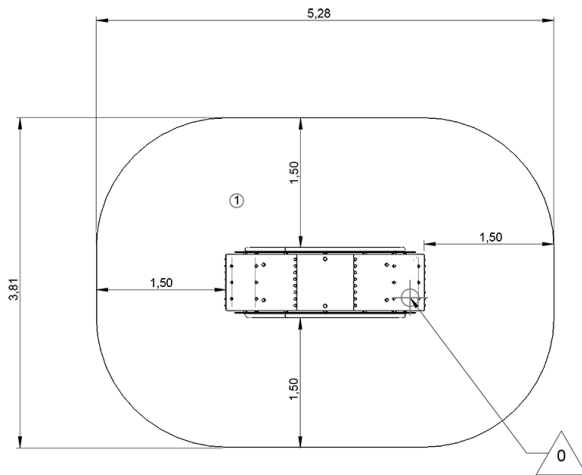
Play value : 5



| role play | meeting | balancing | rotating | visual stimulation |
|---|---|---|---|---|
|  |  |  |  |  |
| x1 | x1 | x1 | x1 | x1 |

Installation of equipment

IMPORTANT: It is essential to refer to the installation instructions for information on the size of the safety areas.

-  Impact area (minimum normative surface)
-  Free space



| | | |
|---|---|---|
| |  |  |
| 1 | 0,7m | 18,5m ² |



2



4h00



0.5m³



18.5m²



346kg



302kg



EN
1176