



3+



4



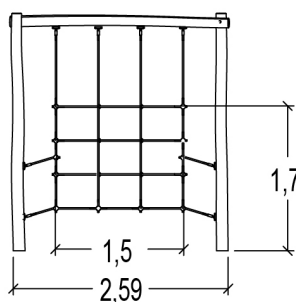
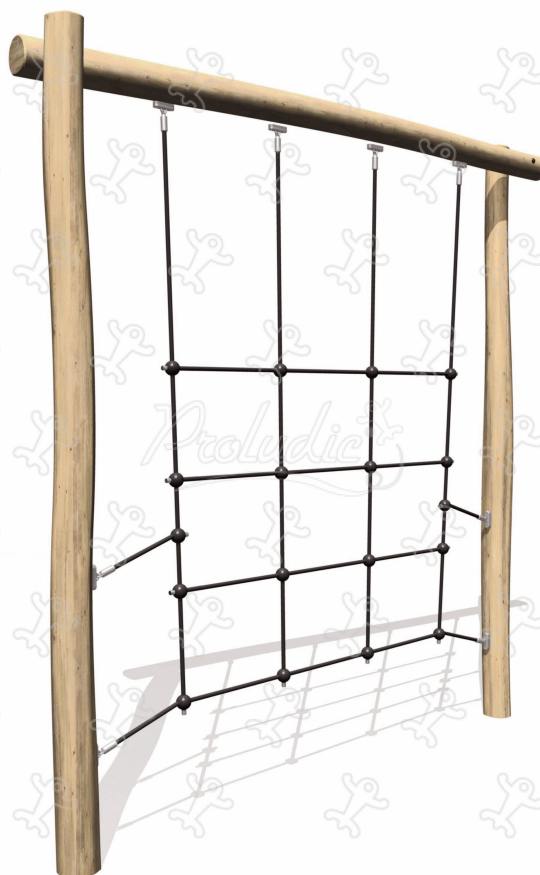
1,7m



1 = 2,59m
2 = 0,44m
3 = 2,8m



Physical inclusion
Sensory inclusion
Cognitive inclusion



Play value : 2

getting across



x1

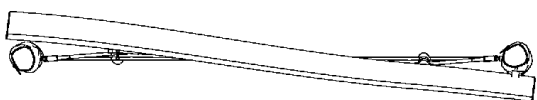
climbing



x1



Components

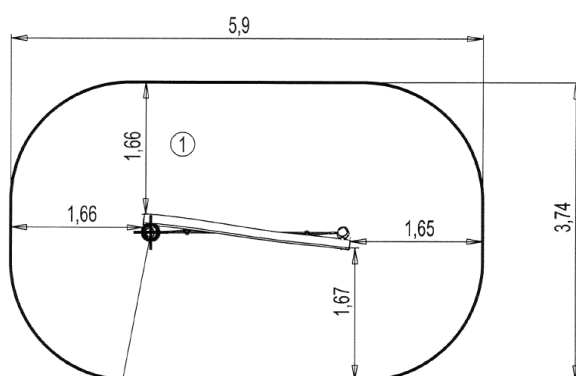
1 Vertical net



Installation of equipment

IMPORTANT: It is essential to refer to the installation instructions for information on the size of the safety areas.

-  Impact area (minimum normative surface)
-  Free space



Point de Référence
Setting Out Point
Punto de referencia
Bezugspunkt
Referentiepunt



1	1,7m	21m ²
---	------	------------------



2



01h00



0.13m³



21m²



106kg



38kg

EN
1176



3+



4



1,7m



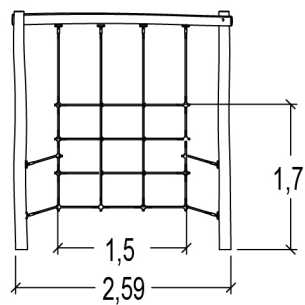
1 = 2,59m

2 = 0,44m

3 = 2,8m



2,8



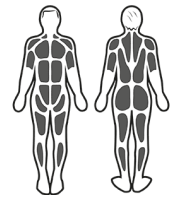
1,5

2,59

1,7



Sports formula



Muscular stimulation

Sports activities :

2

getting across

climbing



x1



x1

muscle strengthening

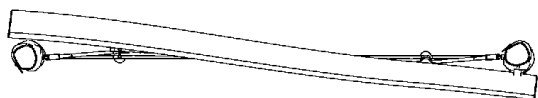
heart health

balance

coordination

► Components

① Vertical net

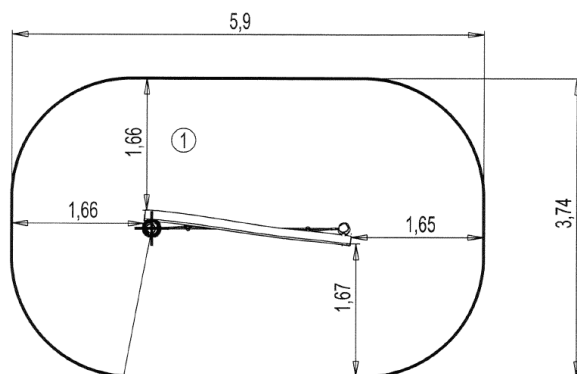


► Installation of equipment

IMPORTANT: It is essential to refer to the installation instructions for information on the size of the safety areas.

———— Impact area (minimum normative surface)

- - - - - Free space



①
 Point de Référence
 Setting Out Point
 Punto de referencia
 Bezugspunkt
 Referentiepunt

1	1,7m	21m ²



2



01h00



0.13m³



21m²



106kg



38kg

