



2+



58



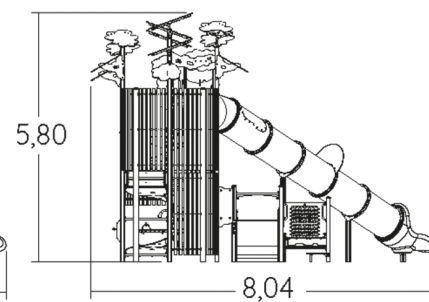
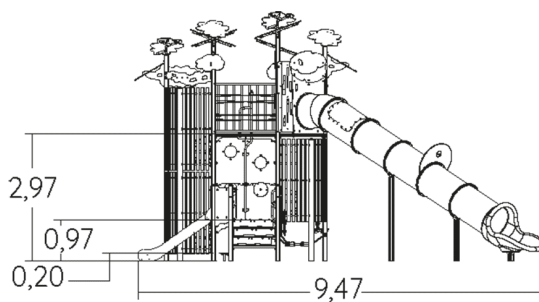
2,97m



1 = 9,47m
2 = 8,04m
3 = 5,8m



Physical inclusion
Sensory inclusion
Cognitive inclusion



Play value : **48**

role play



x4

sliding



x2

meeting



x4

resting



x3

handling



x6

swinging



x3

hiding



x1

balancing



x1

thinking



x4

sound stimulation



x1

tactile stimulation



x6

visual stimulation



x7

climbing



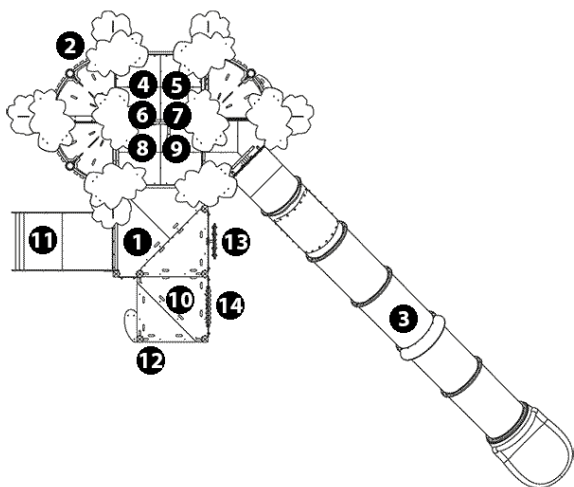
x5

getting across



x1

Components

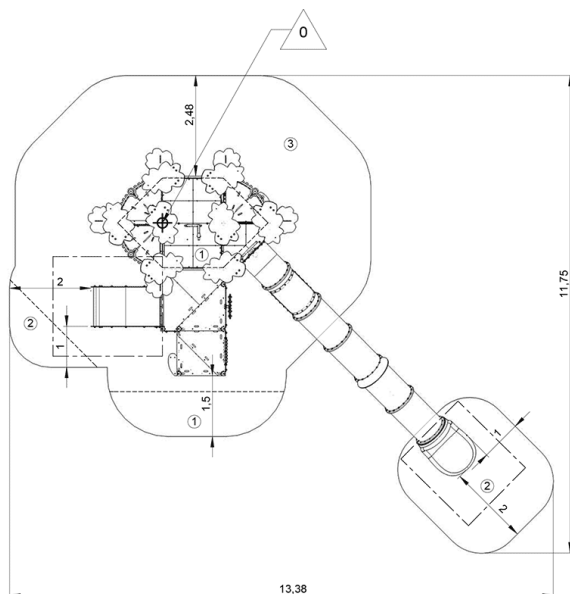


- ❶ Plate-forme Kayop inclusive Ht : 2.97 m
- ❷ Nappe de grimpe souple
- ❸ Toboggan tubulaire avec hublot Ht : 2,97 m
- ❹ Assises suspendues 3 places
- ❺ Shop
- ❻ Panneau Smiley
- ❼ Labyrinthe Kanopé
- ❽ Hublot
- ❾ Play porthole
- ❿ Plate-forme transfert Ht : 0.97 m
- ⓫ Toboggan Ht : 0.97 m
- ⓬ Escalier transfert
- ⓭ Panneau disques/labyrinthe
- ⓮ Panneau ludique boulier

Installation of equipment

IMPORTANT: It is essential to refer to the installation instructions for information on the size of the safety areas.

- Impact area (minimum normative surface)
- Free space



1	0,6m	3,5m ²
2	1m	8m ²
3	2,97m	51m ²



3



25h00



2.5m³



72.5m²



2340kg



41kg

EN
1176